

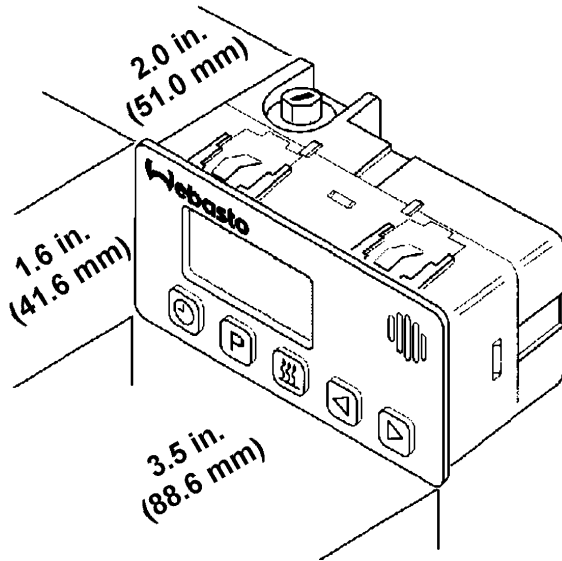
Installation Instructions

7-Day Digital Comfort Timer Model 1531 for Thermo Series

Webasto

Feel the drive

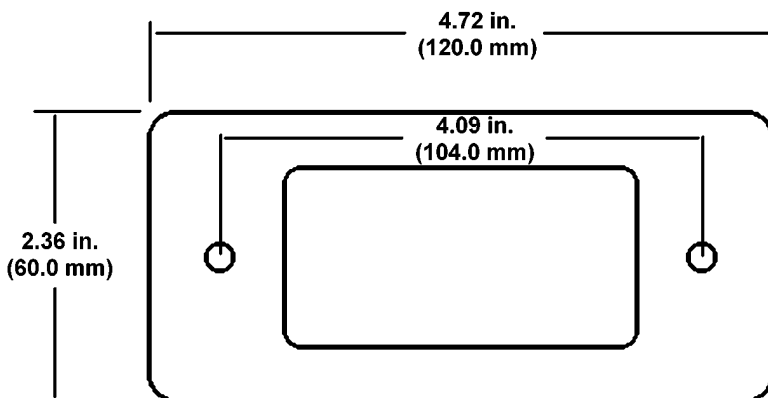
Installation Instructions



Dash cut-out dimensions for mounting without frame.

Length:	3.32" (84.5 mm)
Height:	1.5" (38.2 mm)
Corner Radius:	0.12" (03.0 mm)
Depth:	2.0" (51.0 mm)

1. Find a suitable location on the dashboard. Ensure at least a 2.0" (51.0 mm) depth clearance before cutting into the dashboard.
2. Place the mounting frame template on the dashboard.
3. Drill 6 mm (0.25") corner holes.
4. Drill 5 mm (0.1875") mounting holes for mounting the frame to the dashboard.
4. Cut out the mounting hole.
5. Mount the timer mounting frame.
6. Make all electrical connections as shown in the schematic (next page).
7. Insert the timer into the mounting frame.



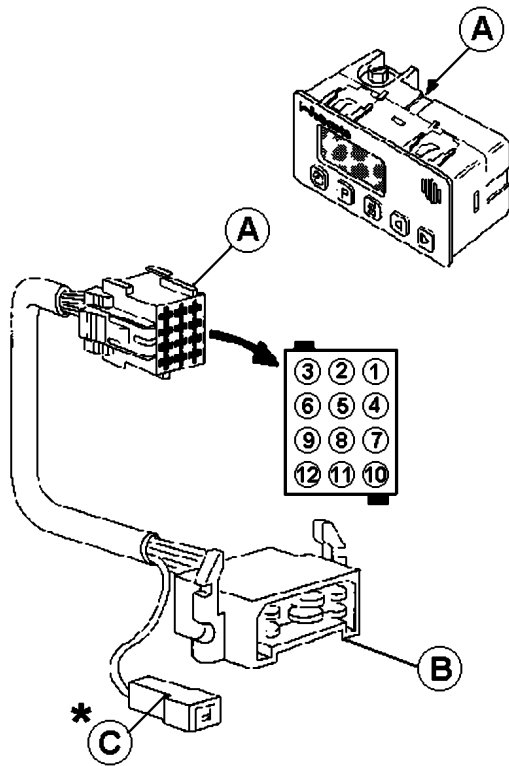
Mounting Frame P.N. 474630 (not to scale)

Installation Instructions

7-Day Digital Comfort Timer Model 1531 for Thermo Series

Webasto

Feel the drive



Operation

*Truck Installations

Operation with C-plug to battery positive:

Press the "Instant heating" button. The heater remains "ON" until the "Instant heating" button is pressed again and switched "OFF".

*Coach, Transit and School bus installations

Operation with C-plug to vehicle ignition signal:

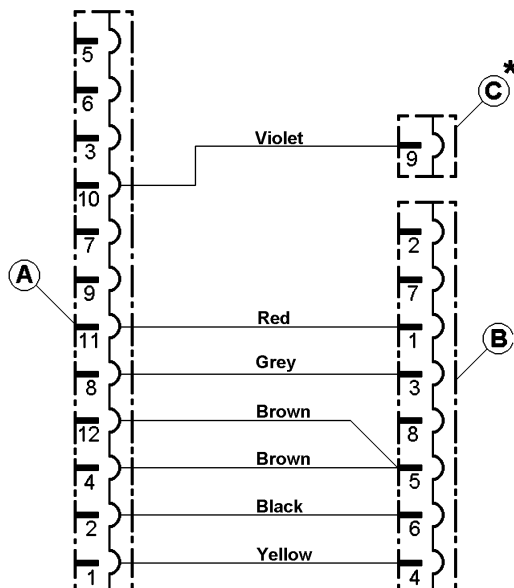
For instant heater operation with ignition on:

Press "Instant heating" button. The heater is switched "ON" and continues to operate until the "Instant heating" button is pressed again or the ignition is switched off.

With the ignition off:

Press the "Instant heating" button. The heater is switched "ON" for the preset operating time.

NOTE: If the ignition is switched off while the heater is in operation, the remaining operating time of 15 minutes is displayed and the heater continues to operate for this period of time.



Electrical Connections

*C-plug (9)

For Truck installations, connect to the Battery positive

For Bus installations, connect to the Vehicle ignition

B-plug

(1) Battery positive

(3) Operation light fault code

(5) Ground

(6) ON/OFF signal

(4) Dash lights (optional)