

## Trim

### Radiator grille, assembly overview (up to 12.95)

#### 1 - Radiator grille

◆ Removing ⇒ [Page 66-2](#)

#### 2 - Seal

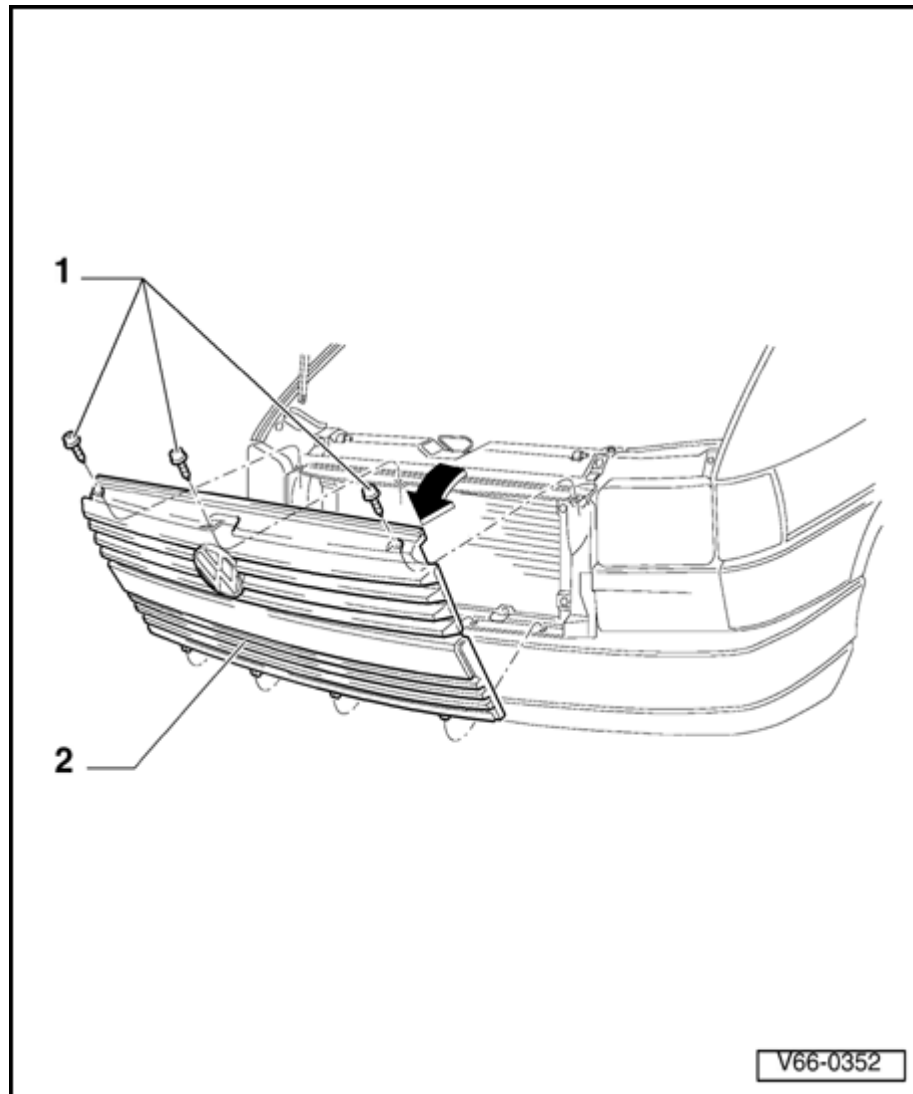
◆ Self-adhesive

#### 3 - Trim

◆ Removing: remove radiator grille ⇒ [Page 66-2](#) and unclip from back side.

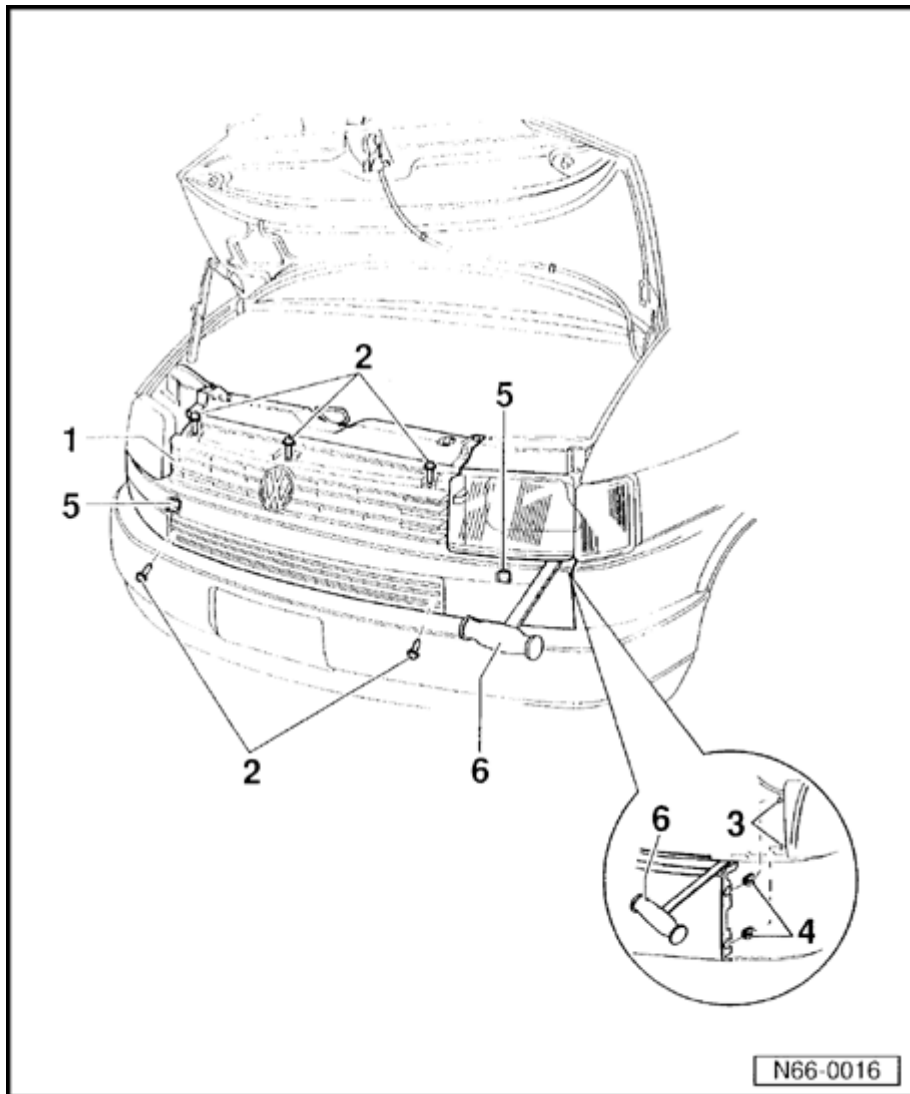
#### 4 - Emblem

◆ Fastened with clip



### Radiator grille, removing (up to 08.94)

- Remove Phillips screws -1-.
- Tip radiator grille -2- forward -arrow- and unhook from mounting holes.

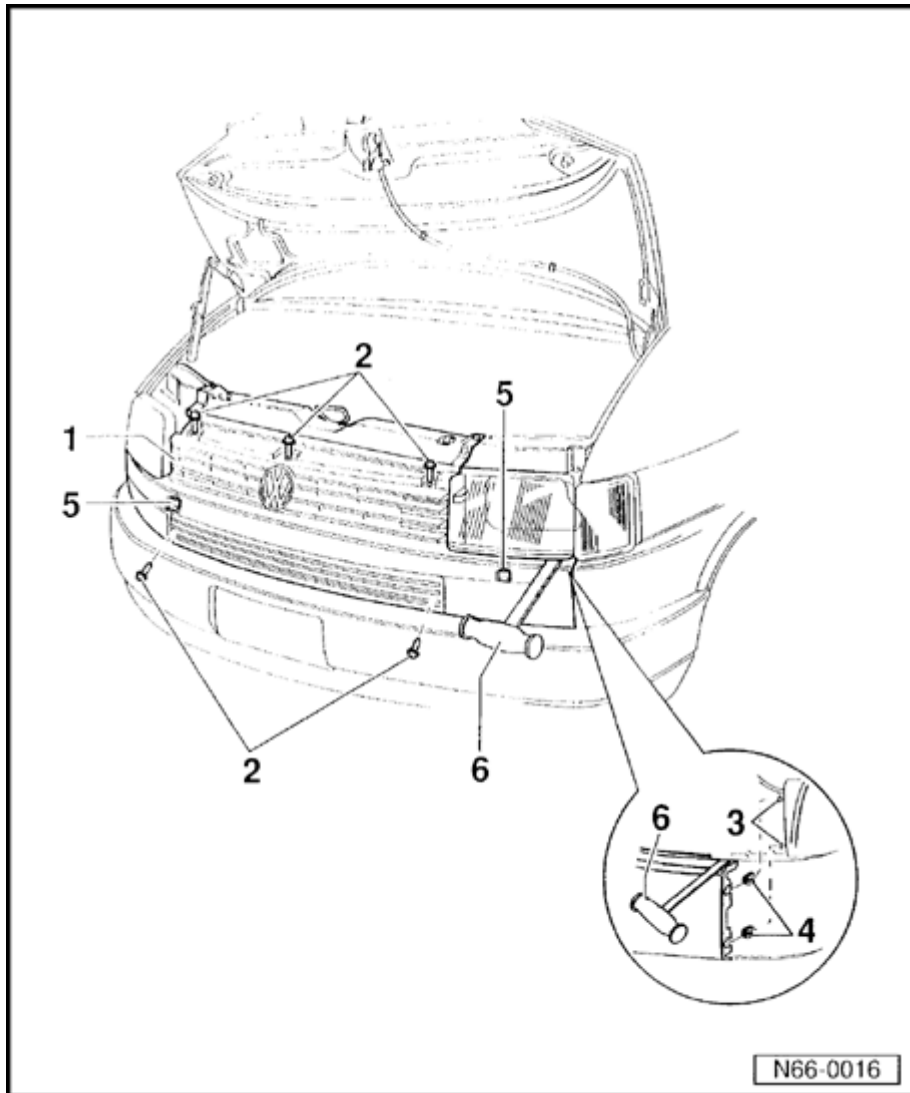


### Radiator grille with trim frame, removing and installing (from 01.96)

- 1 - Radiator grille with trim frame
- 2 - Combination screw/washer assembly
- 3 - T bolt
- 4 - Fastening clip
- 5 - Spray nozzle
- 6 - Special tool 3370

**Note:**

*In order to fold radiator down, radiator grill with trim frame must be removed.*



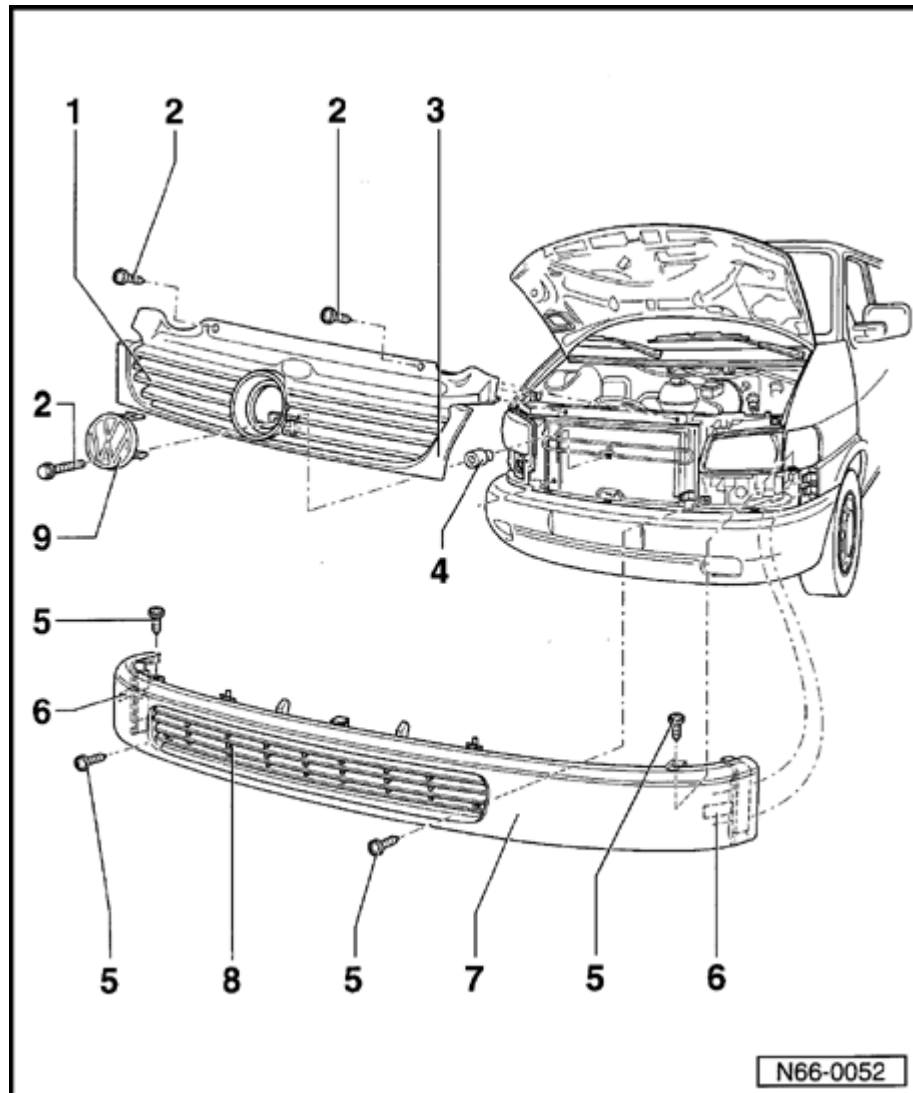
### Removing

- Remove combination screws -2-.
- Remove (pull out) spray nozzle -5- (if equipped) on left and right side.
- Hook special tool 3370 -6- on trim frame below headlight.
- Pull radiator grille with trim frame -1- off T bolt on left and right side.

### Installing

Damaged clips -4- must be replaced before installing radiator with trim frame.

- Clip radiator grille with trim frame on left and right side at the same time.



## Radiator grille, removing and installing (from 01.96)

### 1 - Radiator grille, upper

- ◆ Grille is clipped together with trim frame
- ◆ Grille with trim frame, removing
  - Remove screw/washer assemblies -2-, pull upper radiator grille upward with trim frame

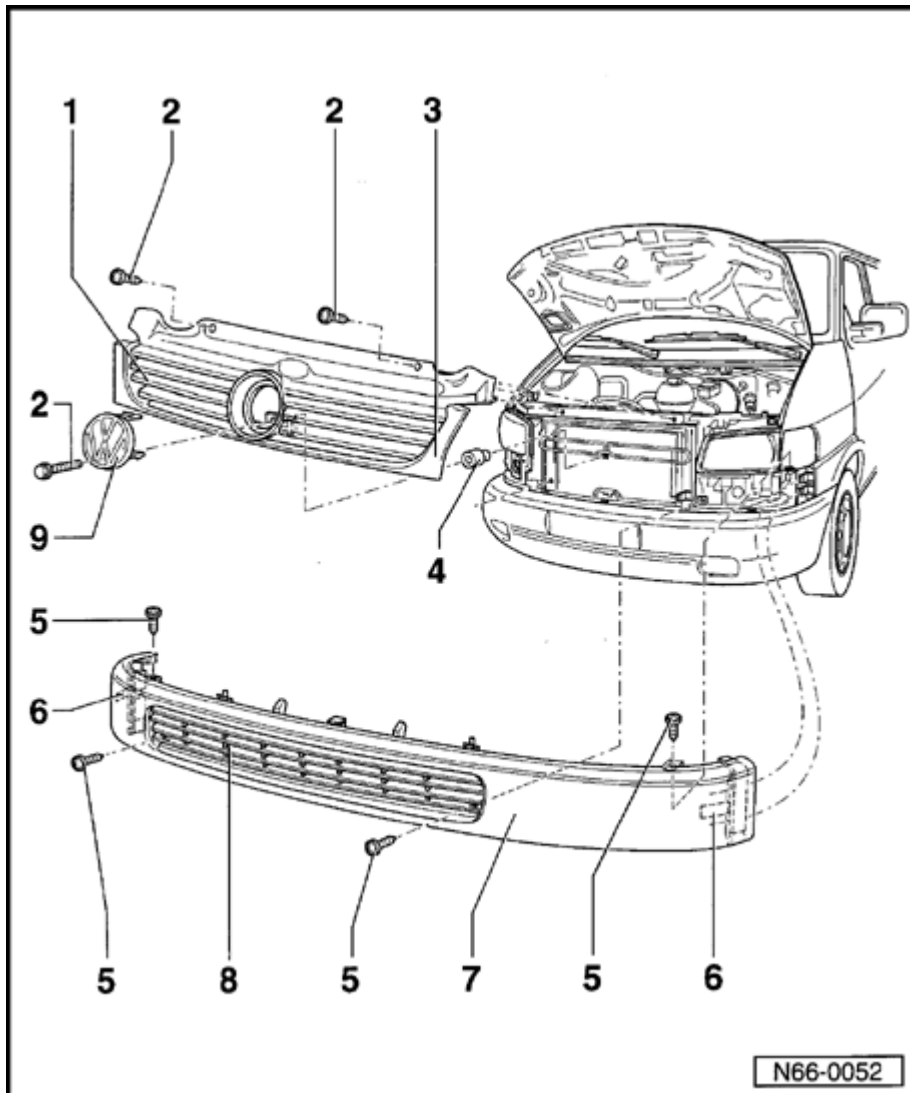
### 2 - Screw/washer assembly

### 3 - Trim frame, upper

- ◆ Remove with upper radiator grille

### 4 - Bonded rubber bushing

### 5 - Screw/washer assembly



### 6 - Unlocking lever

- ◆ Necessary to unlock the corners

### 7 - Lower trim frame

- ◆ Remove together with bottom radiator grille
- ◆ Painted in vehicle color

### 8 - Lower radiator grille

- ◆ Radiator grille: material - ASA
- ◆ Lower radiator grille is clipped and screwed together with trim frame
- Remove turn signal lights and loosen side latches with unlatching levers -6-, take out combination screw and washer assemblies -5-, pull radiator grille with trim frame up and out.

### 9 - Company logo

- ◆ Clipped into radiator grille