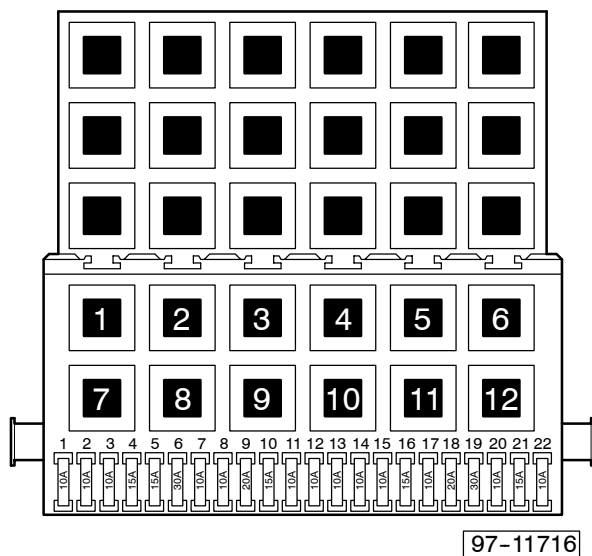


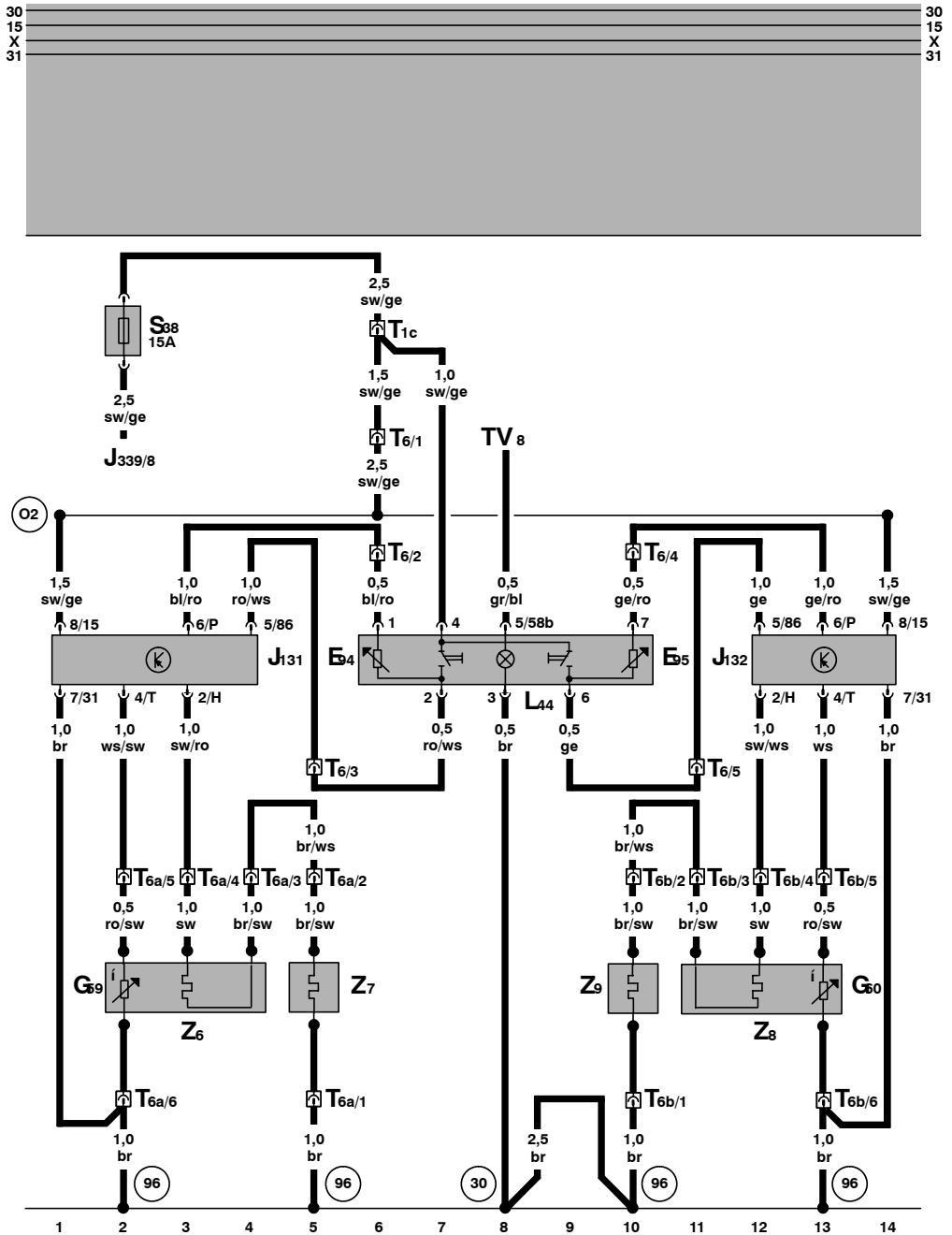
Heated seats, from May 1996

Deviate relay location and fuseplacements as well as the locations of multiple connectors-
see section "component locations".



Fuse colors

- 30 A - green
- 25 A - white
- 20 A - yellow
- 15 A - blue
- 10 A - red
- 7,5 A - brown
- 5 A - beige
- 3 A - violet



ws = white
 sw = black
 ro = red
 br = brown
 gn = green
 bl = blue
 gr = grey
 li = violet
 ge = yellow

97-14768

- E94 - Driver's Seat Heat Regulating Switch
- E95 - Passenger's Seat Heat Regulating Switch
- G59 - Driver Seat Heater Temperature Sensor
- G60 - Passenger Seat Heater Temperature Sensor
- J131 - Driver's Seat Heater Control Module, below driver's seat
- J132 - Passenger's Seat Heater Control Module, below driver's seat
- J339 - Load Reduction Relay II, above fuse/relay panel
- L44 - Seat Heater Switch Illumination Light
- S38 - Heated Seats Fuse, below fuse/relay panel
- T1c - Single Connector, behind fuse/relay panel
- T6 - 6-Pin Connector, behind fuse/relay panel
- T6a - 6-Pin Connector, below driver's seat
- T6b - 6-Pin Connector, below passenger's seat

- TV8 - Terminal 58b Wire Connector, above fuse/relay panel
- Z6 - Driver's Seat Heat Element
- Z7 - Driver's Backrest Heat Element
- Z8 - Passenger's Seat Heat Element
- Z9 - Passenger's Backrest Heat Element
- (30) - Ground connection, beside fuse/relay panel
- (96) - Ground connection -1-, in heated seats wiring harness
- (O2) - Plus connection (15), in heated seats wiring harness