

Sliding door

Assembly overview (up to 12.95)

Sliding door,
components (from
01.96) ⇒ [Page 58-5](#)

1 - Sliding door

- ◆ Removing ⇒ [Page 58-10](#)
- ◆ Adjusting ⇒ [Page 58-20](#)

2 - Rubber buffer

3 - Screw

- ◆ 19 Nm (14 ft lb)

4 - Lower roller guide assembly

5 - Screw

- ◆ 19 Nm (14 ft lb)

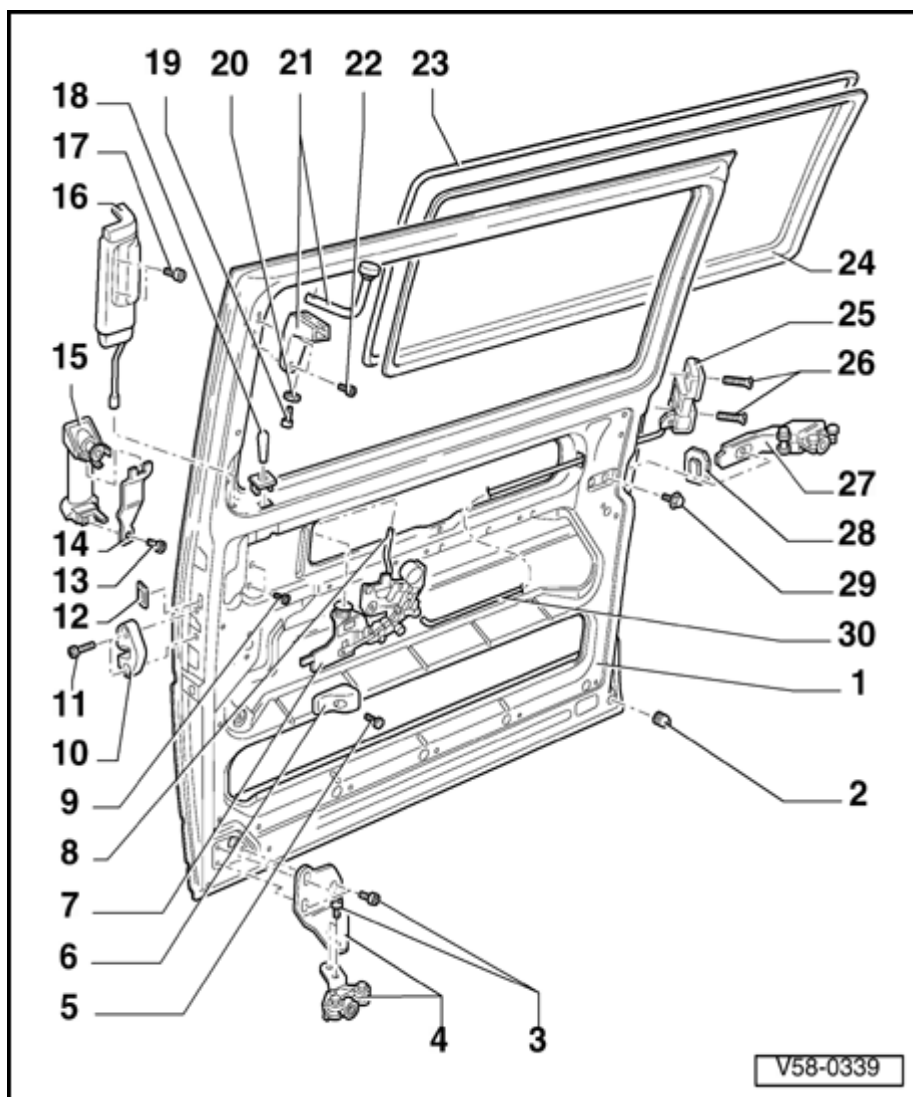
6 - Center stop

7 - Remote control

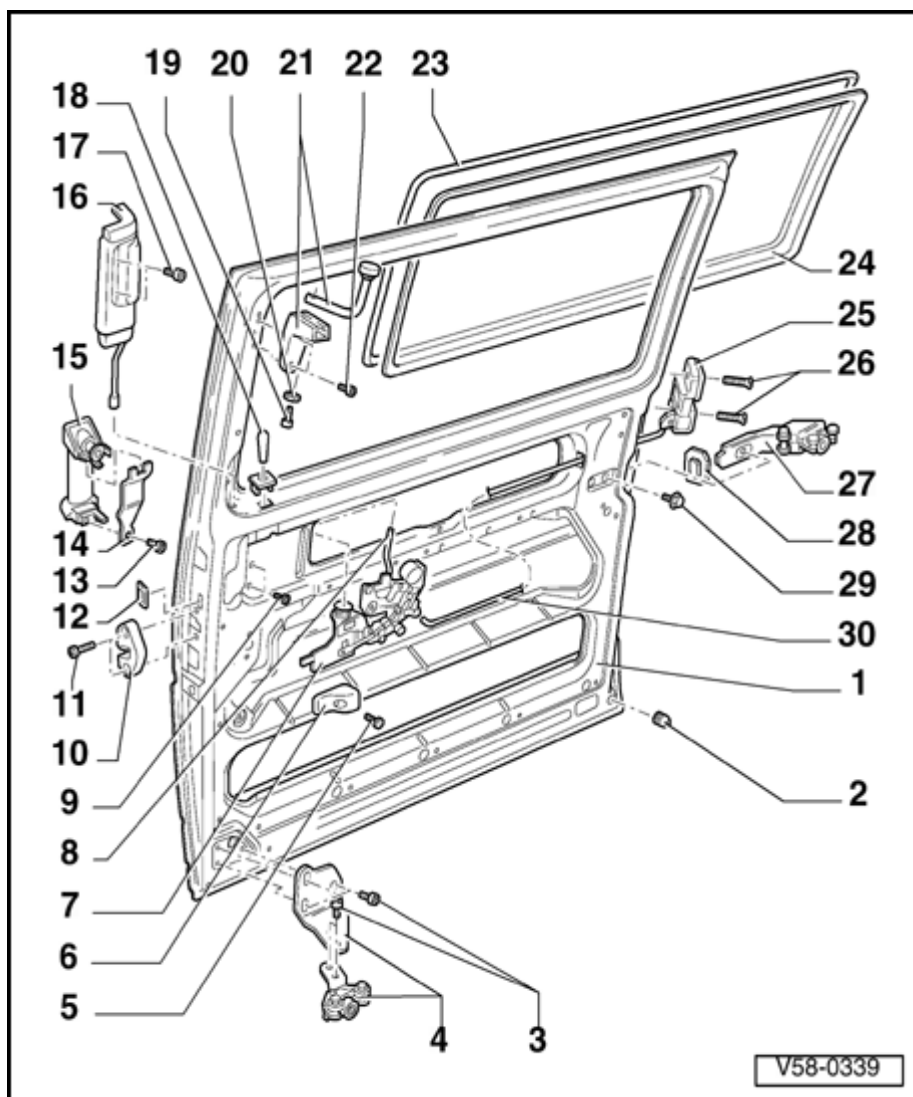
8 - Lock rod

9 - Screw

- ◆ 8 Nm (71 in. lb)



- 10 - Catch plate**
- 11 - Phillips screw**
 - ◆ 19 Nm (14 ft lb)
- 12 - Trim plate**
- 13 - Screw**
 - ◆ 19 Nm (14 ft lb)
- 14 - Tension spring**
- 15 - Outside door handle**
 - ◆ Removing ⇒ [Page 58-39](#)
- 16 - Inside door handle**
- 17 - Allen screw**
 - ◆ 8 Nm (71 in. lb)
- 18 - Lock knob**
 - ◆ Screwed into pull rod
- 19 - Screw**
 - ◆ 8 Nm (71 in. lb)



20 - Washer

**21 - Upper roller
guide assembly**

22 - Screw

◆ 8 Nm (71 in. lb)

23 - Window frames

◆ Destroyed
during removal

**24 - Sliding door
window**

◆ Flush-bonded
window ⇒
[Page 64-7](#)

◆ Sliding window,
repairing ⇒
[Page 64-31](#)

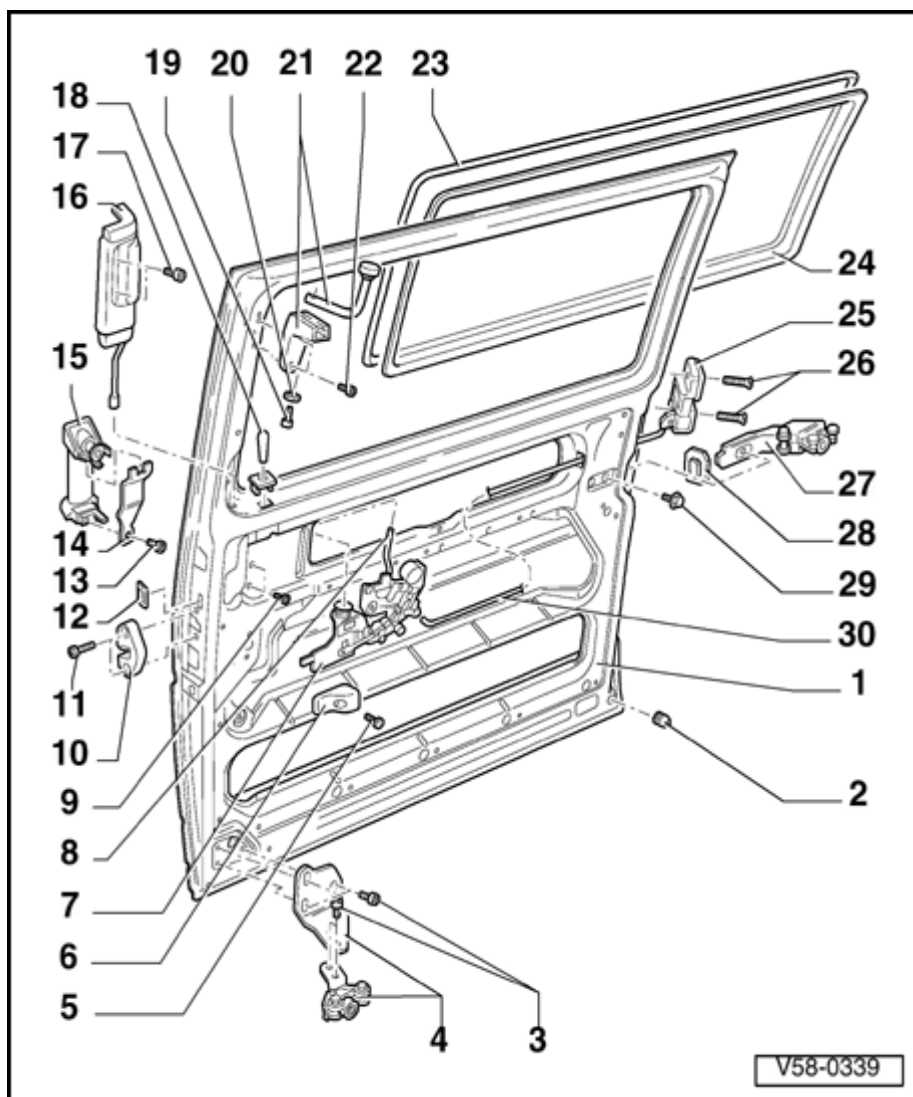
25 - Rotary switch

◆ Removing ⇒
[Page 58-38](#)

26 - Screw

◆ 19 Nm (14 ft lb)

27 - Hinge link



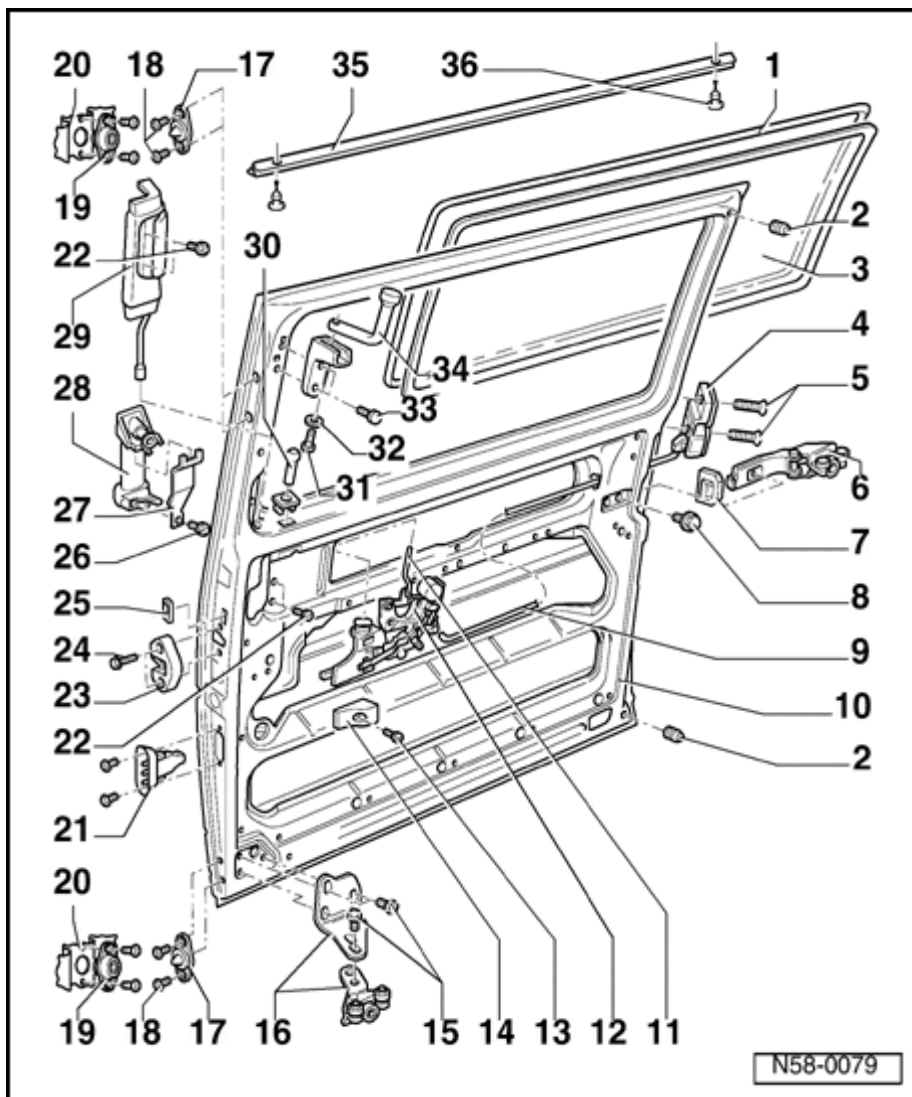
28 - Seal

29 - Bolt w/washer

◆ 54 Nm (40 ft lb)

30 - Pull rod

◆ Connects
remote lock to
rotary catch



Assembly overview (from 01.96)

Sliding door,
components (up to
12.95) ⇒ [Page 58-1](#)

1 - Window frame

- ◆ Destroyed during removal

2 - Rubber buffer

3 - Sliding door window

- ◆ Flush bonded window: removing and installing ⇒ [Page 64-7](#)

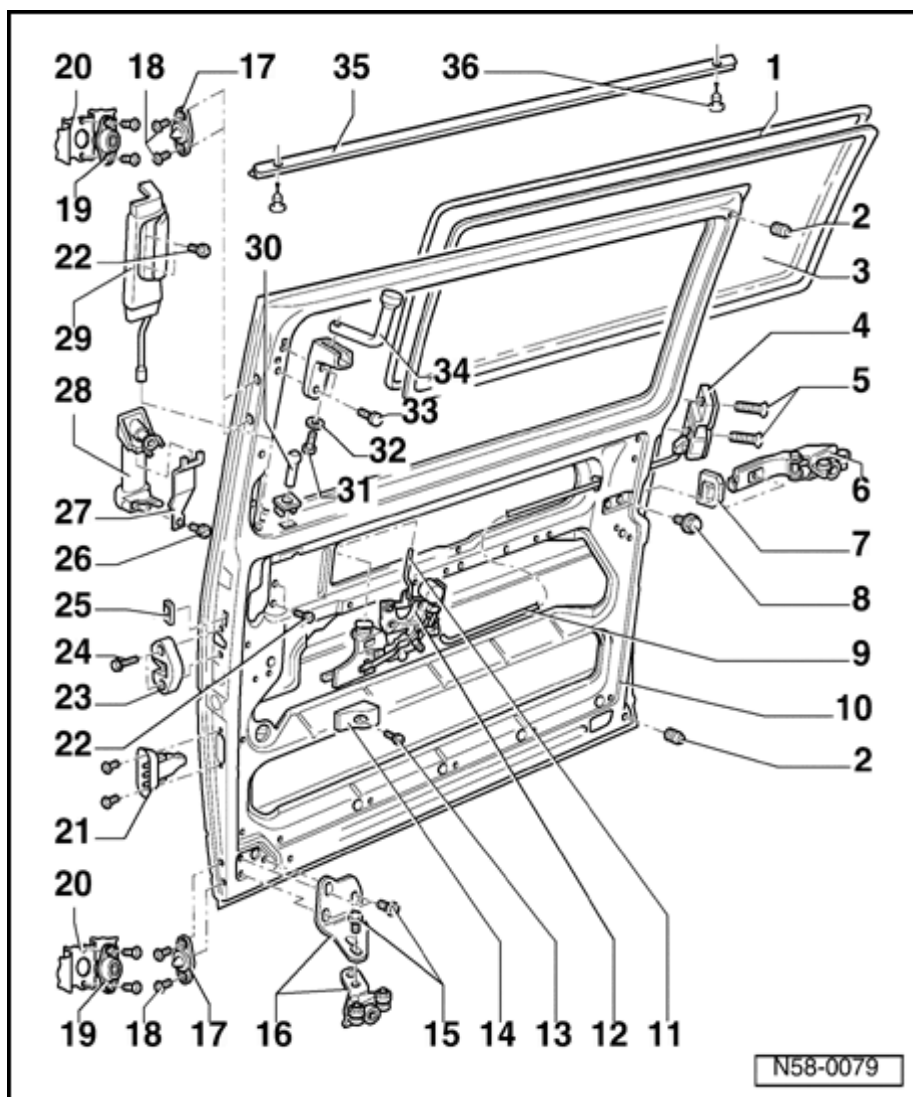
- ◆ Special equipment, sliding window: repairing ⇒ [Page 64-31](#)

4 - Central lock

- ◆ Removing ⇒ [Page 58-38](#)

5 - Screw

- ◆ 19 Nm (14 ft lb)



6 - Hinge link

7 - Seal

8 - Screw and washer assembly

◆ 54 Nm (40 ft lb)

9 - Pull rod

◆ Connects remote control lock to central lock

10 - Sliding door

◆ Removing ⇒ [Page 58-10](#)

◆ Adjusting ⇒ [Page 58-25](#)

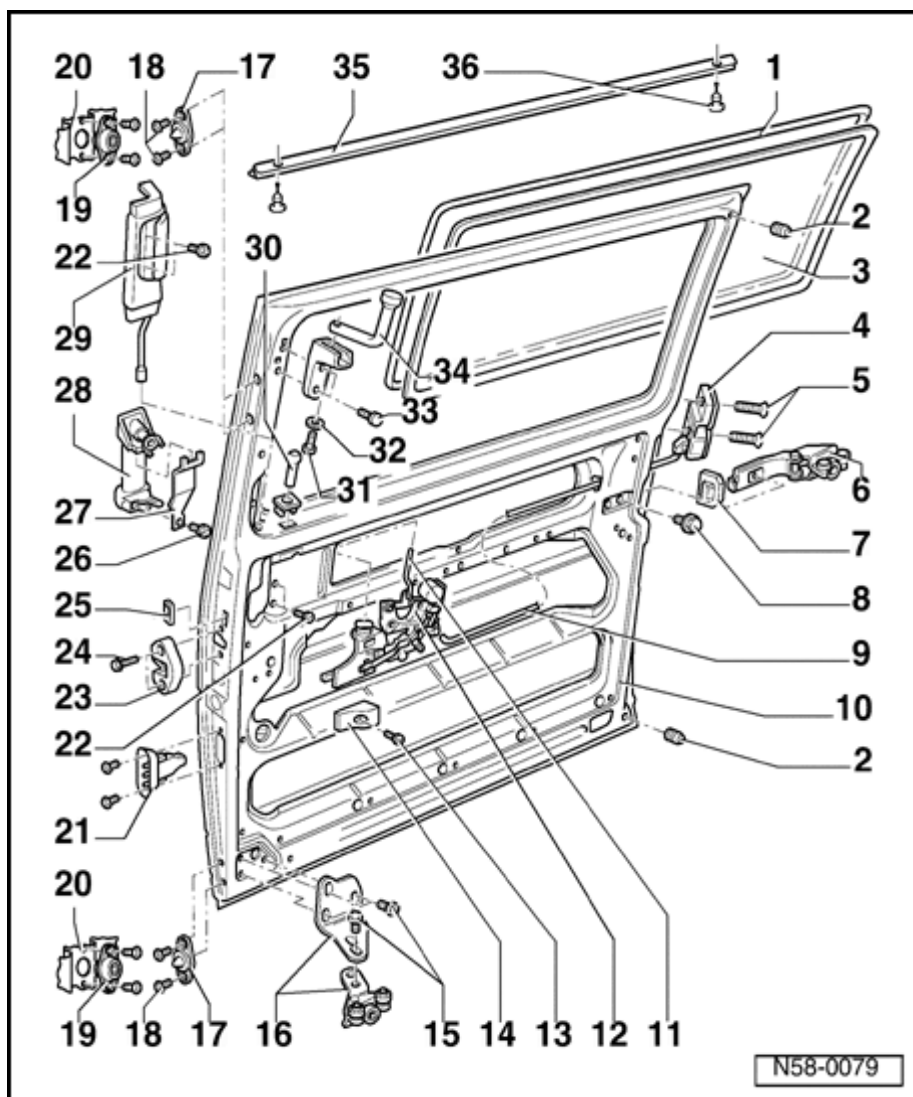
11 - Lock rod

12 - Remote control

13 - Screw

◆ 19 Nm (14 ft lb)

14 - Center stop



15 - Screw

◆ 19 Nm (14 ft lb)

**16 - Lower roller
guide assembly**

17 - Latch pin

◆ Adjusting ⇒
[Page 58-31](#)

18 - Screw

◆ 19 Nm (14 ft lb)

19 - Striker

20 - B pillar

**21 - Right rear door
contact switch
(sliding door) -
F7-**

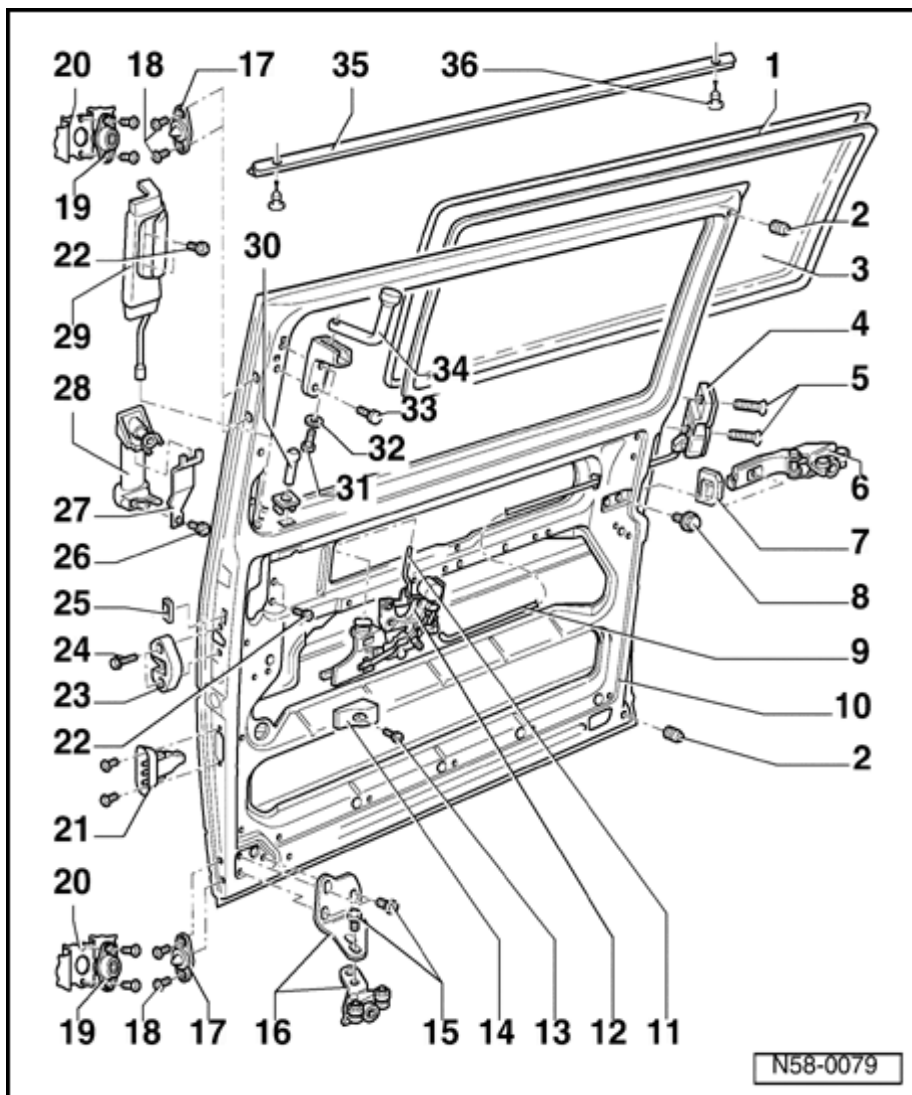
22 - Recessed screw

◆ 8 Nm (71 in. lb)

23 - Striker

24 - Screw

◆ 19 Nm (14 ft lb)



25 - Trim plate

26 - Screw

◆ 19 Nm (14 ft lb)

27 - Tensioning spring

28 - Outside door handle

◆ Removing ⇒
[Page 58-39](#)

29 - Inside door handle

30 - Lock knob

◆ Screwed onto
 pull rod

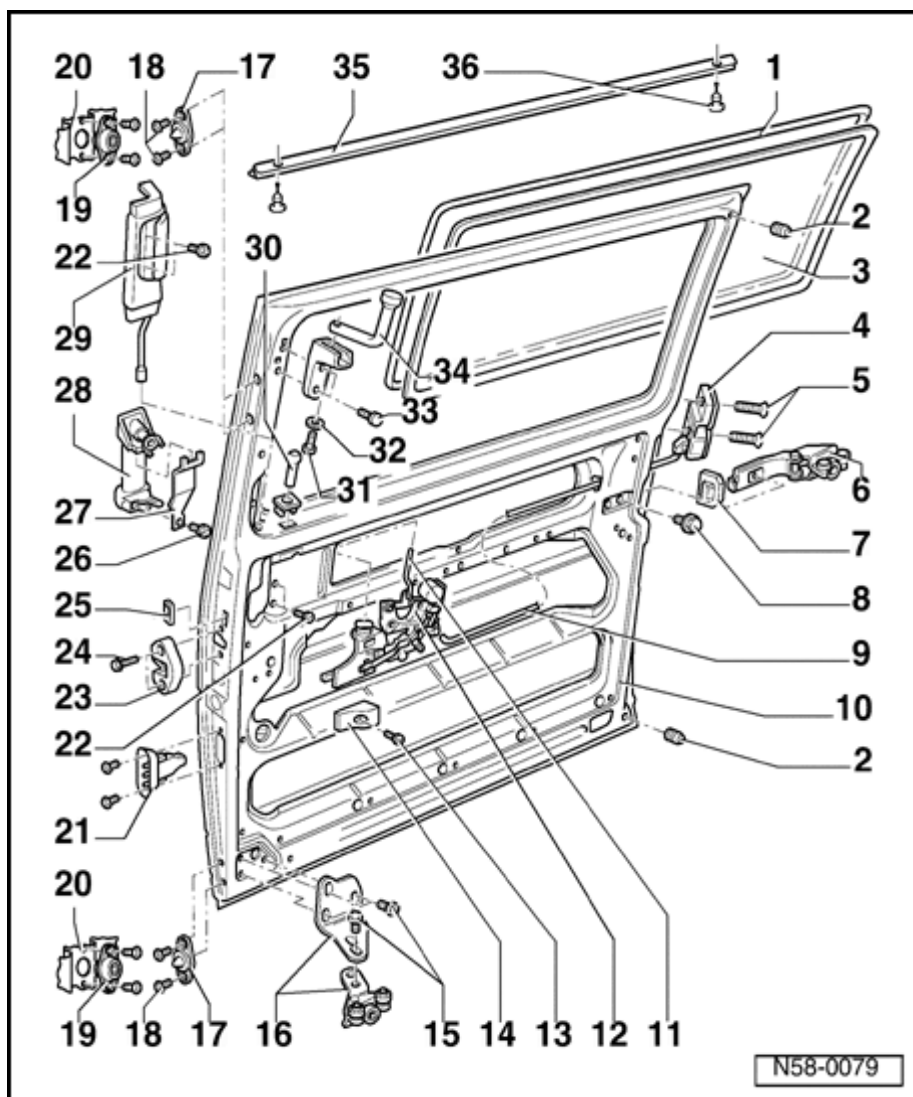
31 - Recessed screw

◆ 12 Nm (9 ft lb)

32 - Washer

33 - Recessed screw

◆ 12 Nm (9 ft lb)



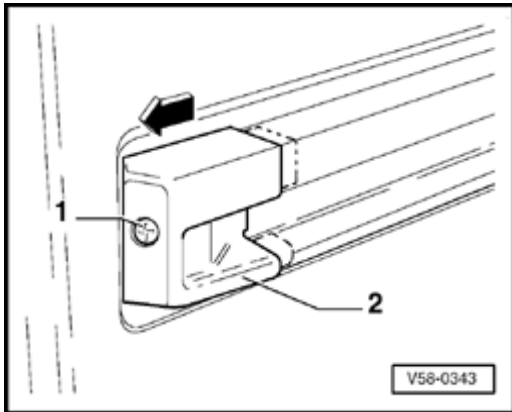
34 - Upper roller
guide assembly

35 - Profile seal

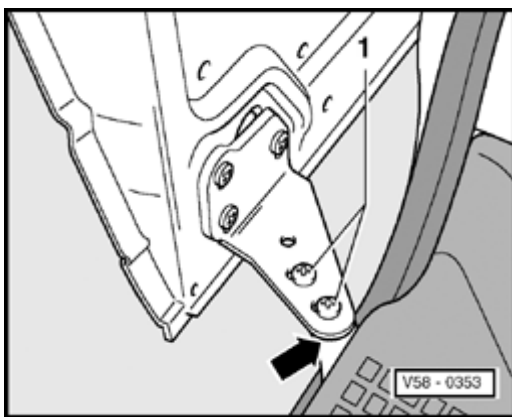
◆ Clipped and
glued

36 - Clip

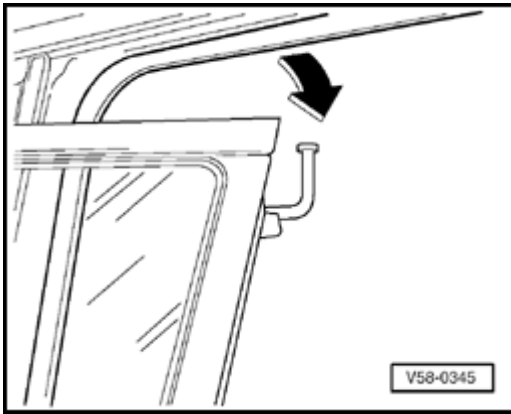
Sliding door, removing



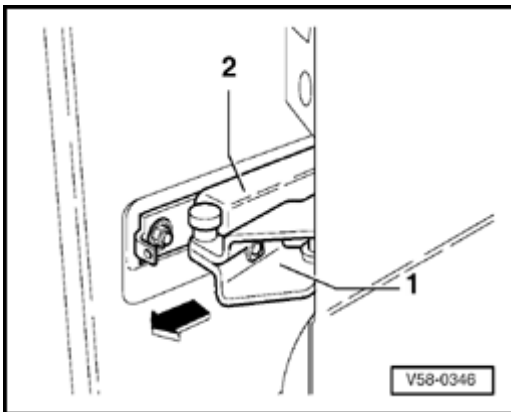
- A
- Remove Phillips screw -1-, pull end piece -2- off guide rail.



- A
- Mark position of lower roller guide.
 - Remove Phillips screws -1-.



- A
- Lower sliding door at front until upper roller guide can be removed from guide rail.



- A
- With second technician, guide sliding door back -arrow- until hinge link -1- is out of guide rail -2-.