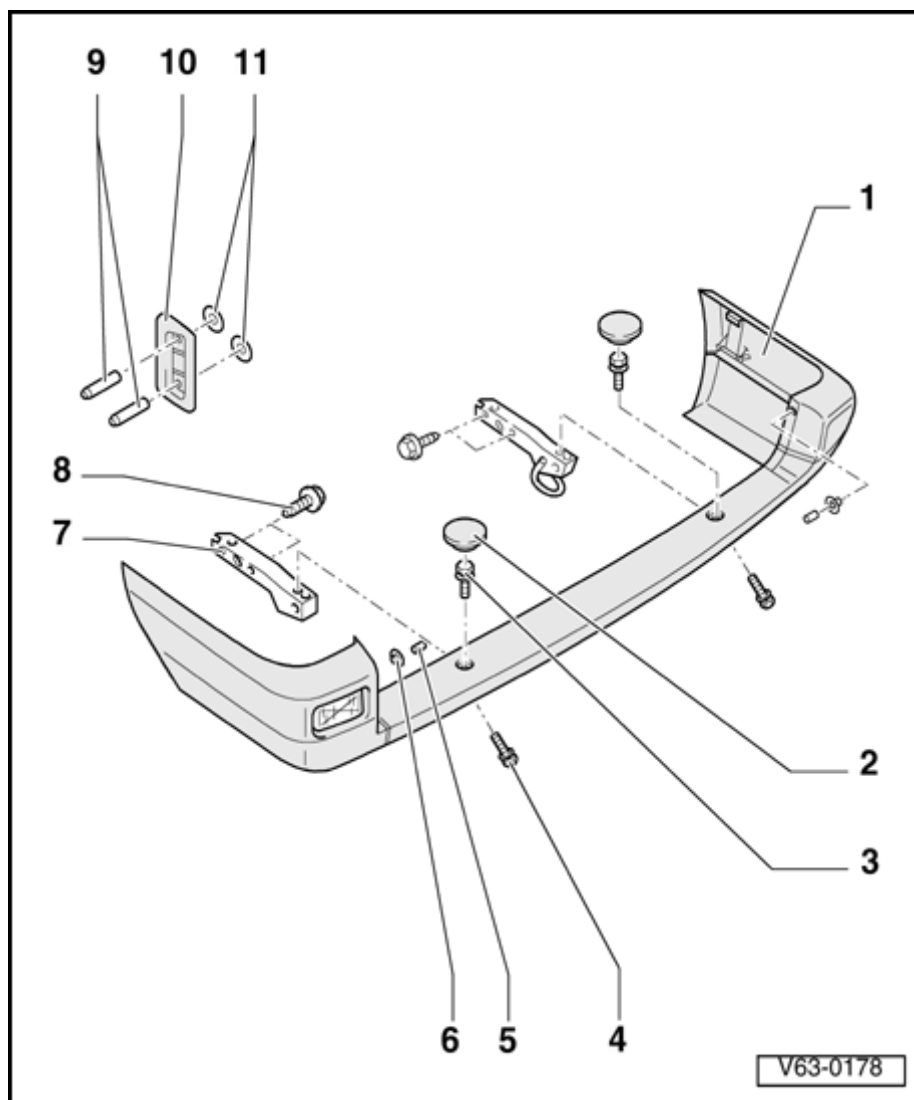


## Rear bumper

### Assembly overview (up to 12.95)

Rear bumper, removing and installing (from 01.96) ⇒  
[Page 63-8](#)

- 1 - Rear bumper**
- 2 - Cover**
- 3 - Bolt w/washer**
  - ◆ 15 Nm (11 ft lb)
- 4 - Bolt w/washer**
  - ◆ 15 Nm (11 ft lb)
- 5 - Pin**
  - ◆ Replacement part includes -5- and -6-
- 6 - Expanding clip**
  - ◆ Replacement part includes -5- and -6-



**7 - Bumper bracket**

**8 - Bolt w/washer**

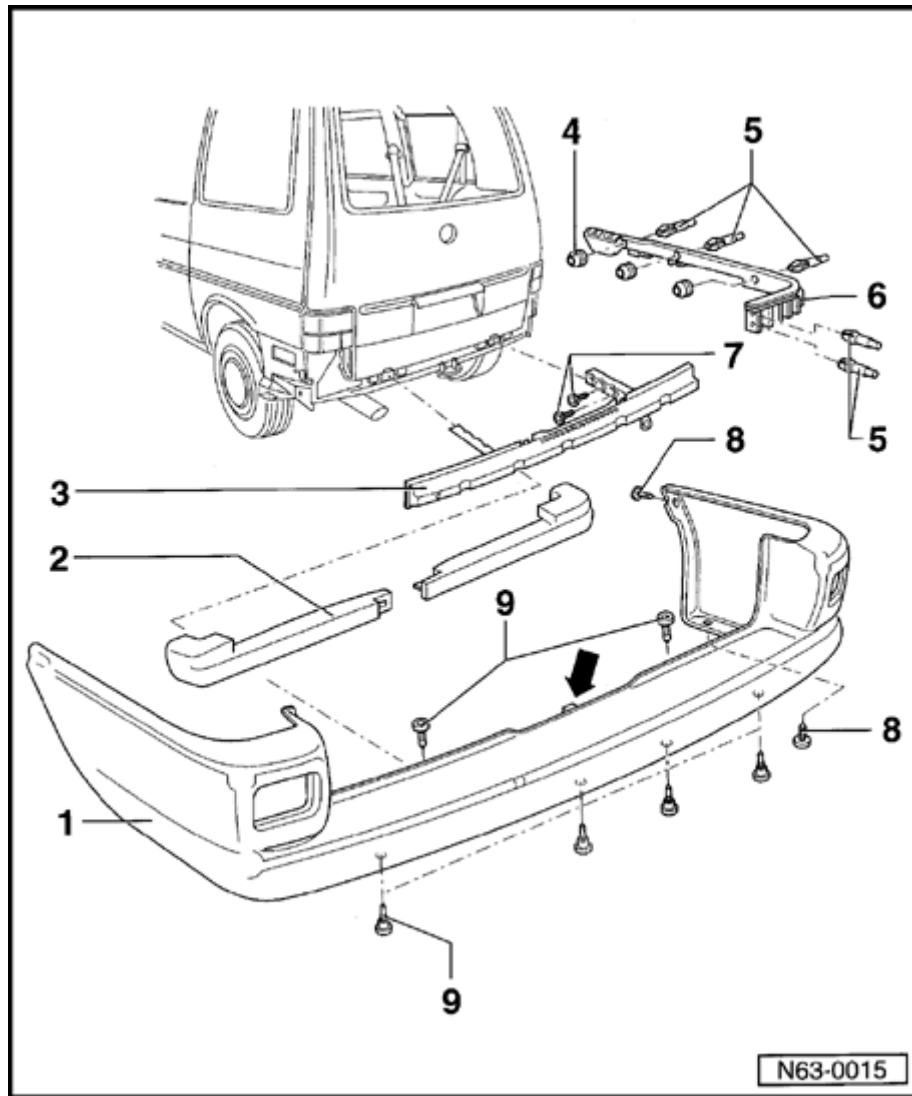
◆ 110 Nm (81 ft lb)

**9 - Pin**

**10 - Guide**

◆ To remove and install, push in or slide out bumper parallel from guide (left and right)

**11 - Sealing washer**



## Rear bumper, removing and installing (from 01.96)

Rear bumper, removing and installing (up to 12.95) ⇒  
[Page 63-6](#)

### 1 - Cover

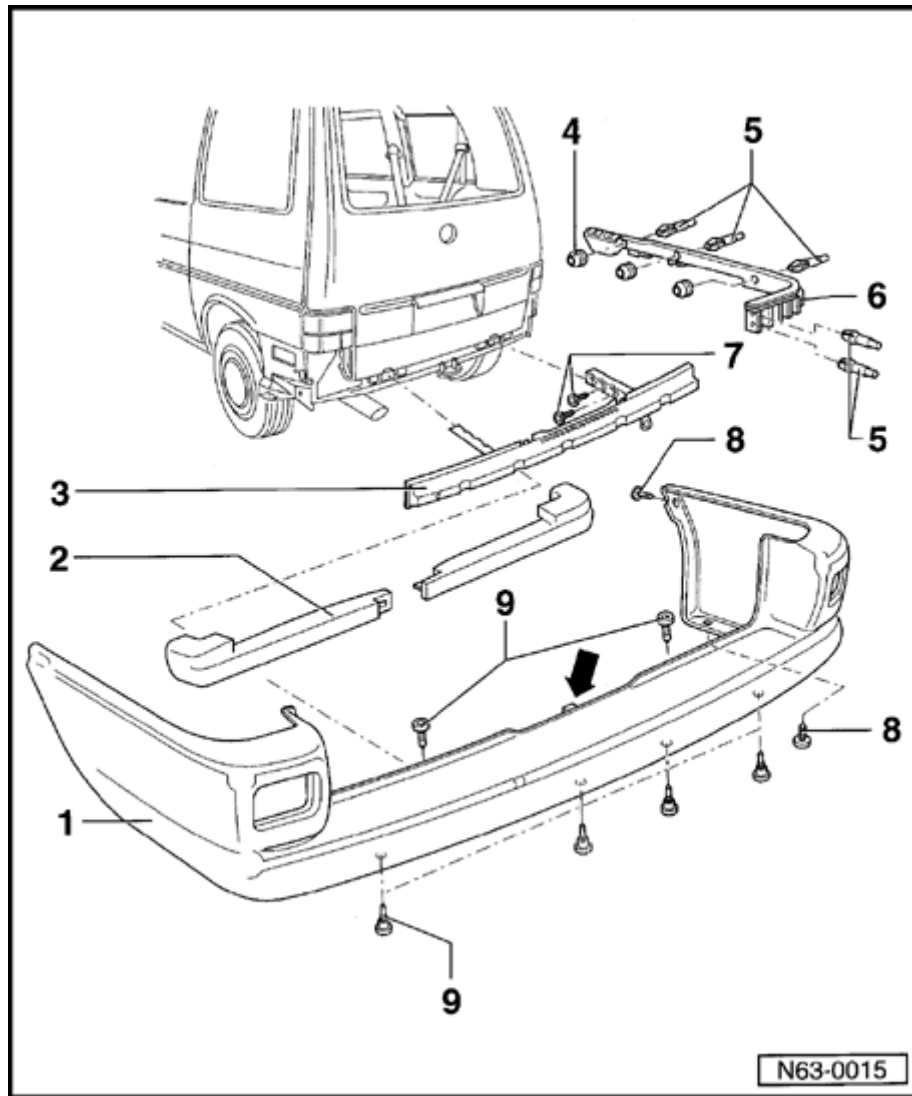
- Remove torx screws -8-, hex screws -7-.
- Remove bumper with rail -3- from guides -6-.
- Remove torx screws -9-.
- Pull cover from rail with brackets -3-.

◆ Note center fastening point

### 2 - Bumper beam

- ◆ When removing, disconnect right side then left

### 3 - Rail with bracket



**4 - Sleeve**

**5 - Expansion clip**

**6 - Bumper guide bracket**

- ◆ To remove/install bumper beam, push/pull beam straight (parallel) out of guide bracket

**7 - Hex bolt with washer**

- ◆ 15 Nm (11 ft lb)

**8 - Torx screw T25 (2x)**

- ◆ 1.2 Nm (11 in. lb)

**9 - Torx screw T30**

- ◆ 6 Nm (53 in. lb)