

A-pillar trim

A-pillar trim, components

(Van, Panel Truck, Flat Bed, Double Cab)

Note:

Description is given for one side only, opposite side is mirror image.

1 - Trim

- ◆ Carefully unclip from headliner and A-pillar.
- ◆ It is hooked into bonded rubber bushing -2- on lower side behind the instrument panel.

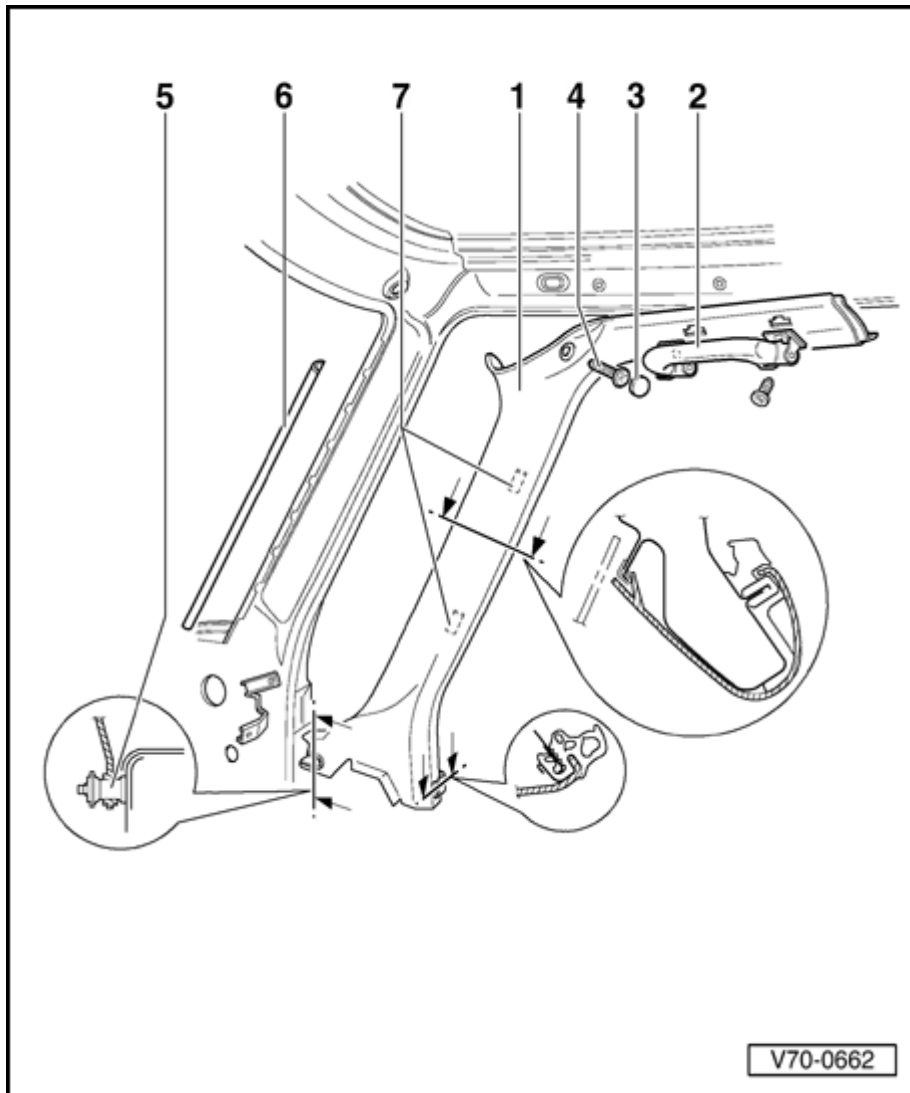
2 - Bonded rubber bushing

3 - Trim strip

- ◆ Ensure correct positioning before reinstalling trim -1-.

4 - Foam pad

- ◆ Two pieces, glued on back of trim -1-.



A-pillar trim, removing/installing

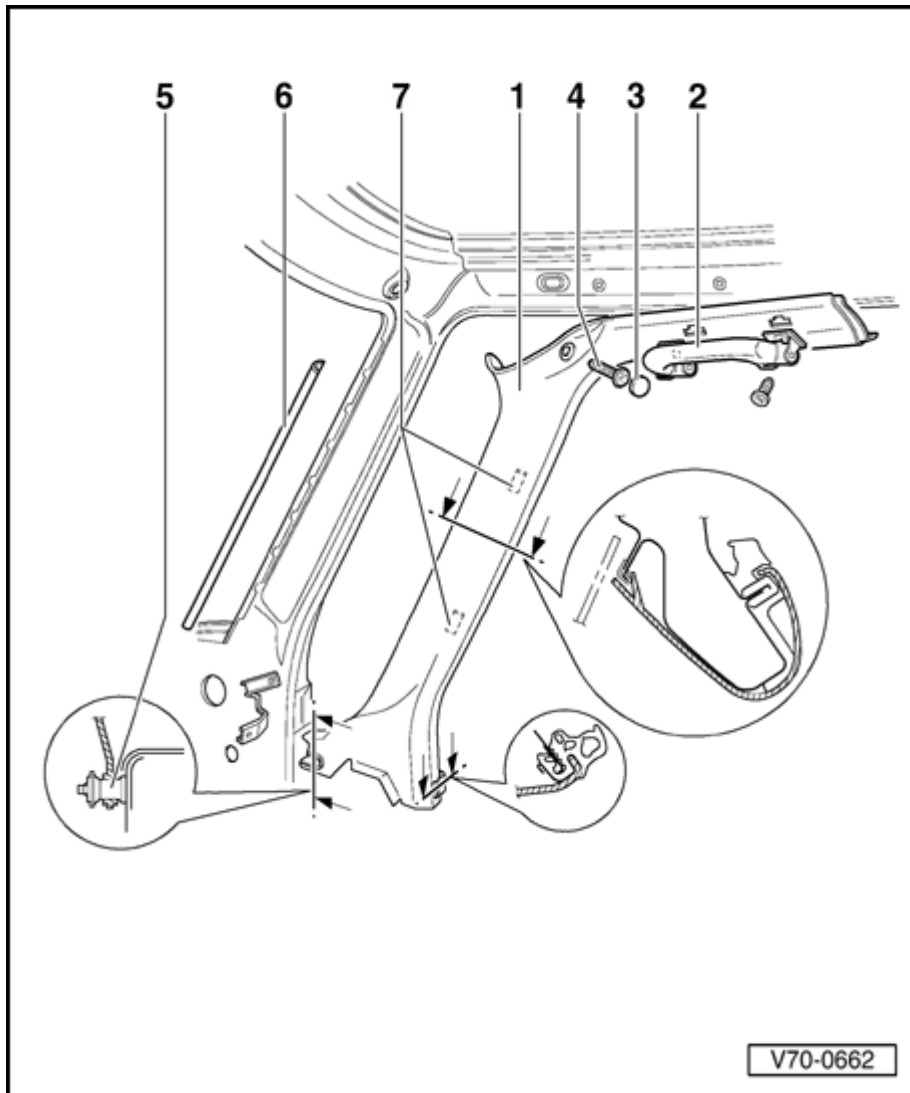
Caravelle A-pillar trim

Notes:

- ◆ Instructions are shown for one side, directions for other side are opposite.
- ◆ In order to remove A-pillar trim, upper B-pillar trim must first be removed ⇒ [Page 70-56](#) and/or ⇒ [Page 70-60](#) .

1 - Trim

- ◆ Carefully unclip from headliner and A-Pillar.
- ◆ It is hooked into bonded rubber bushing -5- on lower side behind instrument panel.

**2 - Assist handle**

- ◆ Passenger side only
- ◆ Removing ⇒ [Page 70-51](#)

3 - Cover cap

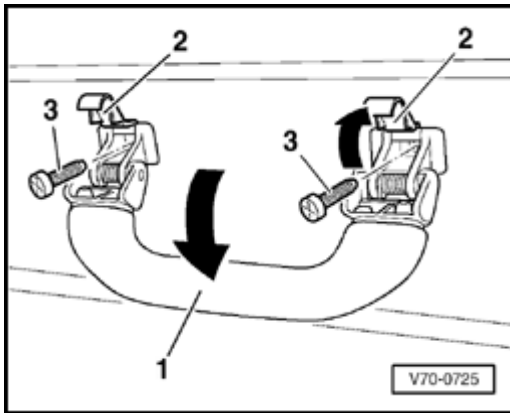
- ◆ Pry out

4 - Phillips screw**5 - Bonded rubber bushing****6 - Trim strip**

- ◆ Ensure correct positioning before reinstalling trim

7 - Foam pad

- ◆ Two pieces, glued on back of trim



A

Assist handle, removing

- Pull assist handle -1- downward (arrow).
- Pry up caps -2- with screwdriver.
- Remove Phillips screws -3-, assist handle -1-.