

## B-pillar trim

### Upper B-pillar trim (left), components

#### Side without sliding door

##### 1 - B-pillar upper trim

◆ Removing ⇒ [Page 70-56](#)

◆ Installing ⇒ [Page 70-57](#)

##### 2 - Belt Tongue

◆ Bolted at bottom of B-pillar.

◆ Tightening torque: 40 Nm (30 ft lb)

##### 3 - Seat belt

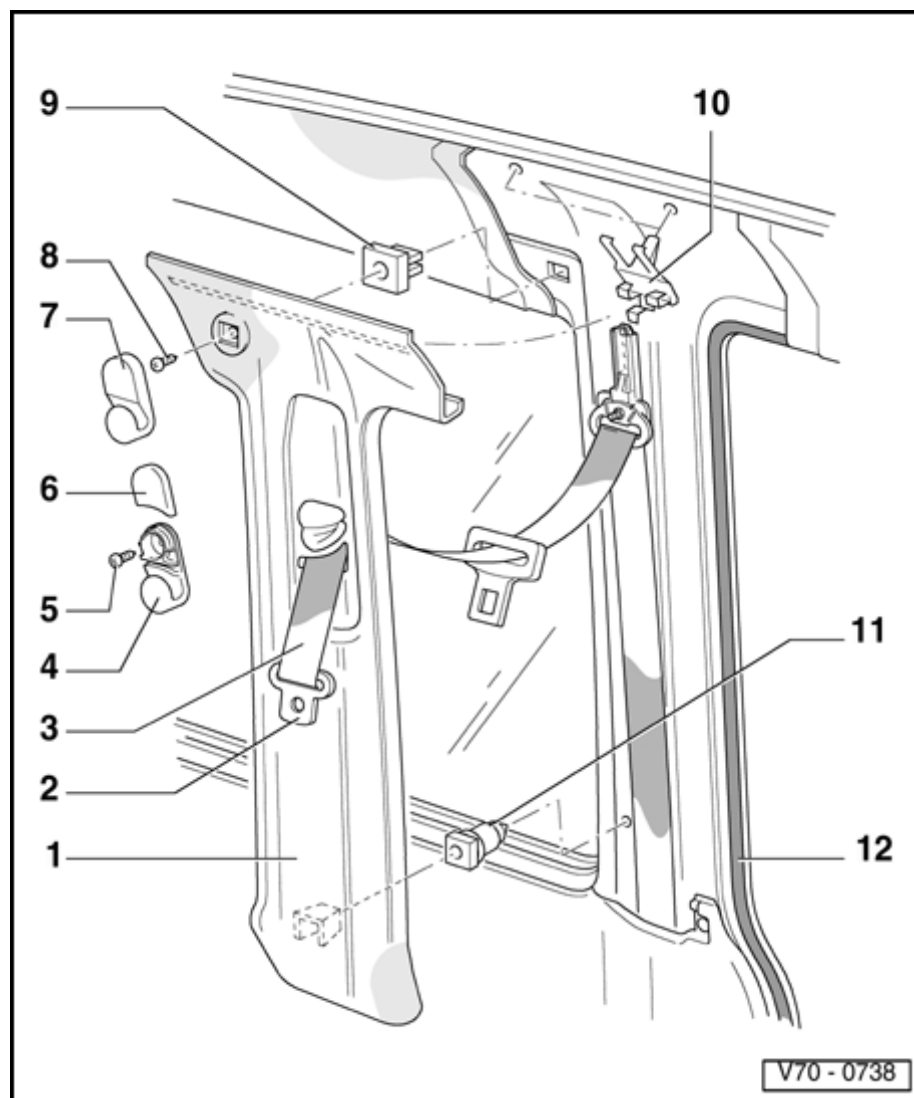
##### 4 - Coat hook

◆ From 03.

◆ 92

##### 5 - Phillips screw

##### 6 - Cover

**7 - Coat hook**

- ◆ Up to 02.92

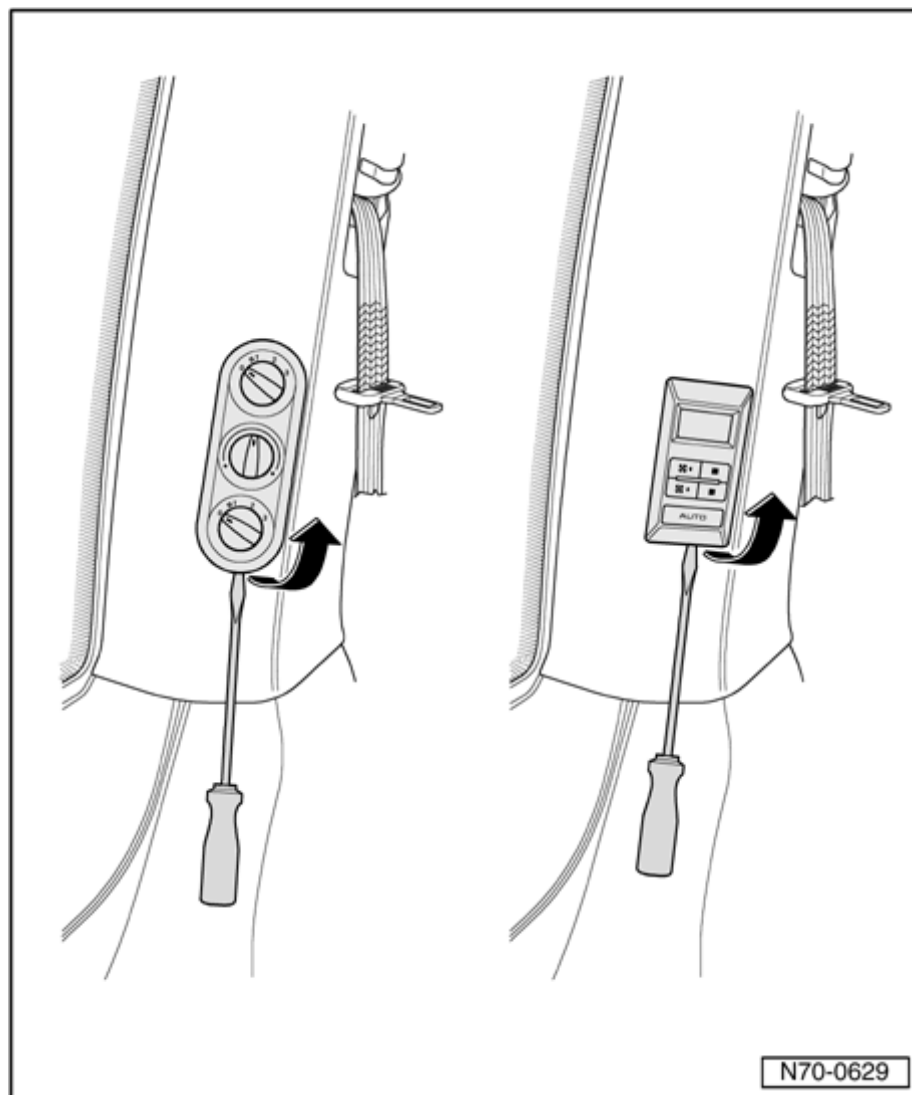
**8 - Phillips screw****9 - Expanding nut****10 - Spring clip****11 - Clip**

- ◆ Two pieces

- ◆ Install sleeve in B-pillar hole, install pin in trim.

**12 - Gasket**

- ◆ After installing trim, ensure correct positioning of gasket



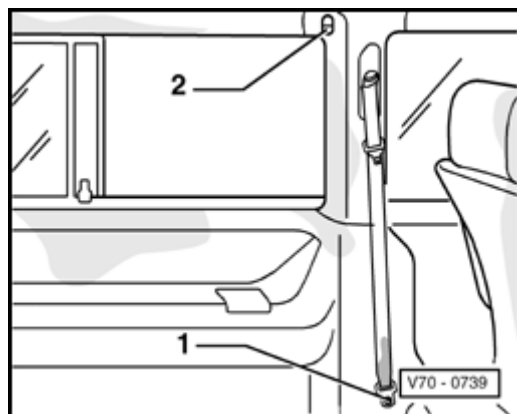
### Upper B-pillar trim (left), removing

#### Vehicles with A/C or Climatronic

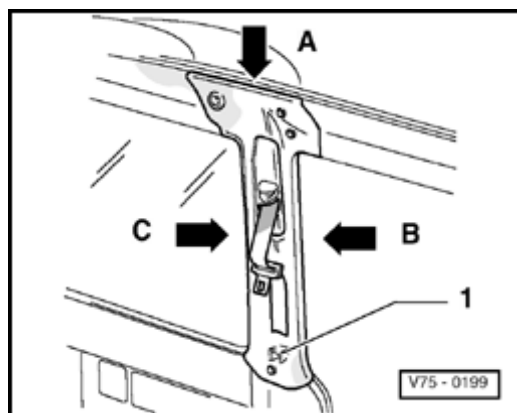
- Position screwdriver in opening at lower part of switch panel.
- Carefully pry off switch panel from trim.

#### **Note:**

*Do not disconnect electrical connection. Plate fits through opening in trim.*



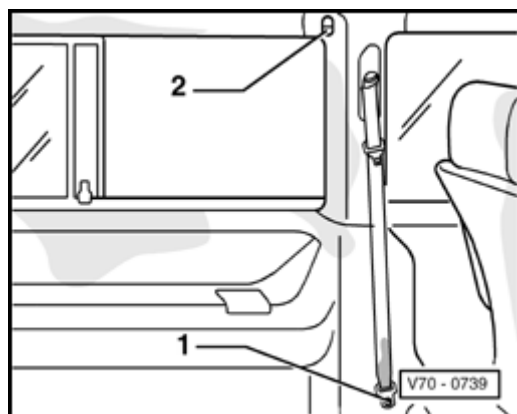
- A**
- Pry off cover -1- and remove bolt - 40 Nm (30 ft lb)- for belt attachment.
  - Remove cover -2- or coat hook ,remove screw.



- A**
- Unclip trim in the following sequence:
    - Along roof liner -arrow A-
    - Door side -arrow B-
    - Window side -arrow C-
  - In area of clip -1-, remove trim from B-pillar.

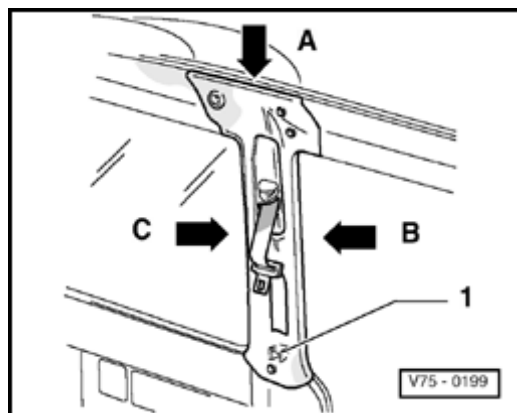
## Upper B-pillar trim (left), removing

### Vehicles without A/C or Climatronic



**A**

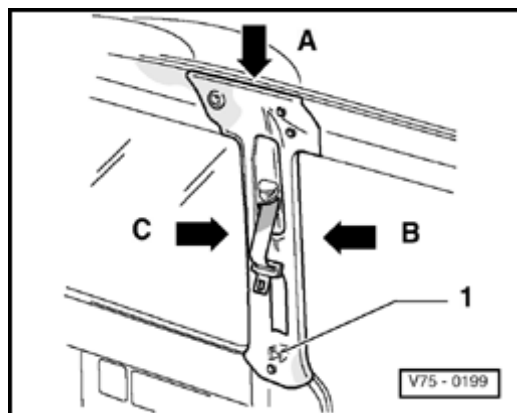
- Remove cap -1-, remove anchor screw.
- Remove cap -2- and/or coat hook, remove coat hook and/or Phillips screw underneath.



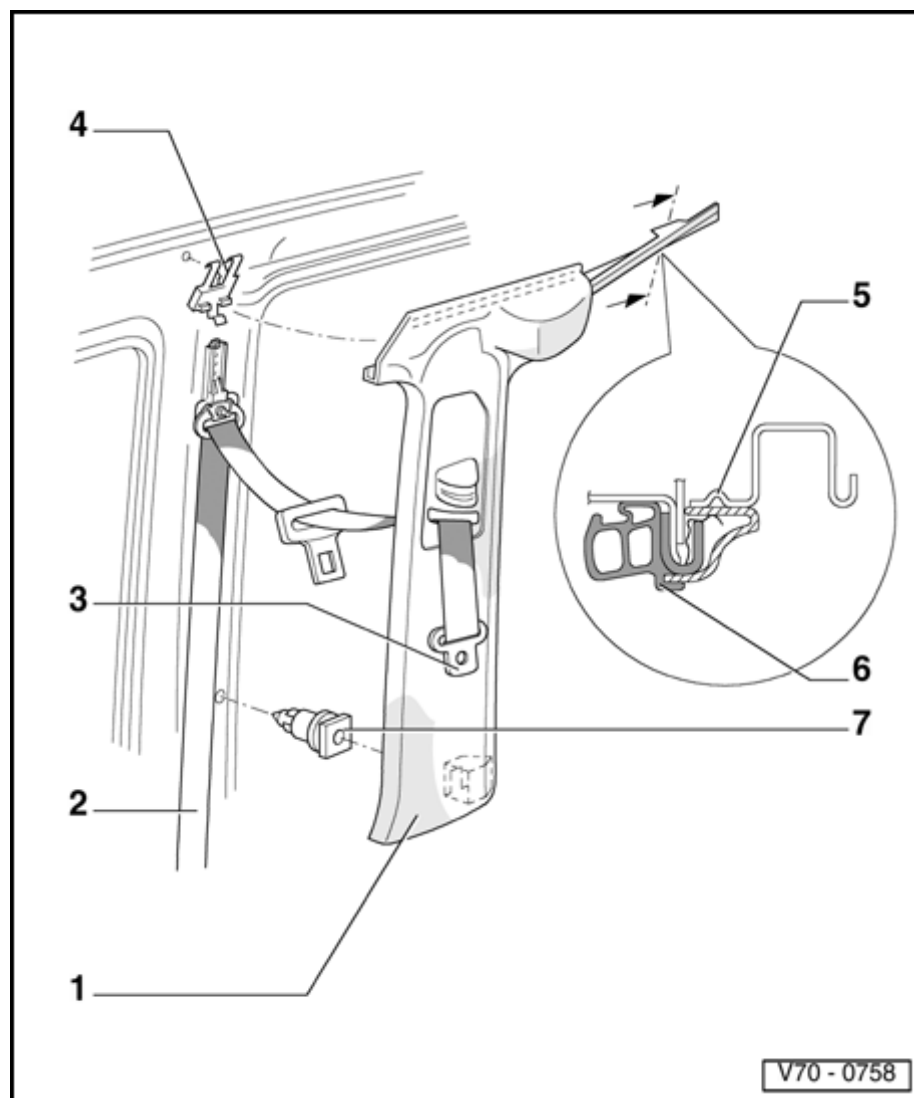
**A**

- Unclip and remove trim in following sequence:
  - ◆ Along molded headliner -arrow A-
  - ◆ Right side -arrow B-
- Pull trim from B-pillar starting at height of clip -1-.

### Upper B-pillar trim (left), installing

**A**

- Clip trim on B-pillar and into spring clips on headliner. Ensure correct installation of clips -1- and belt height adjustment mechanism.
- After installing trim, ensure correct positioning of gasket (arrow -B-).



## Upper B-pillar trim (right), components

### Sliding door side

#### 1 - Upper B-pillar trim

◆ Removing ⇒ [Page 70-60](#)

◆ Installing ⇒ [Page 70-60](#)

#### 2 - Seat belt

#### 3 - Belt tongue

◆ Bolted at bottom of B-pillar.

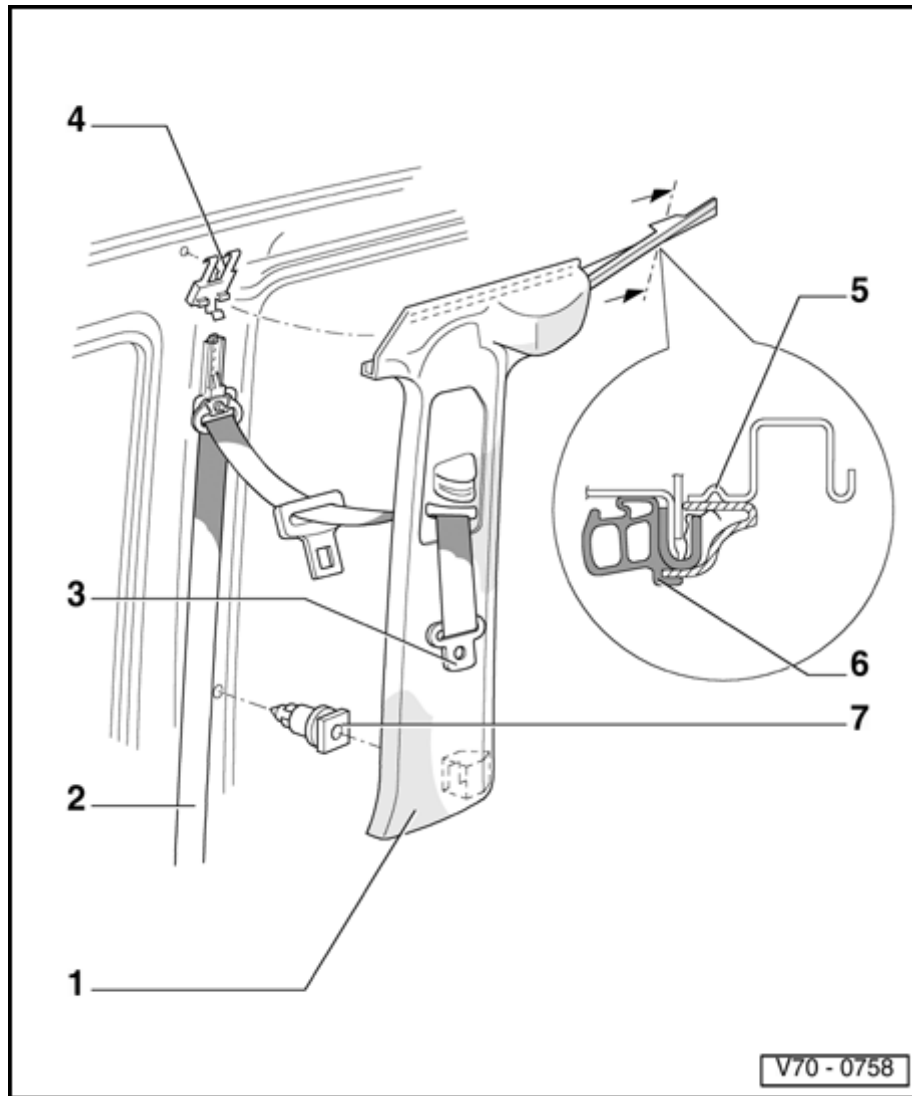
◆ Tightening torque: 40 Nm (30 ft lb).

#### 4 - Spring clip

#### 5 - Locating tab in roller guide

◆ Clamp must be centered

◆ Incorrect installation of spring clip can cause damage to upper B-pillar trim by sliding door.



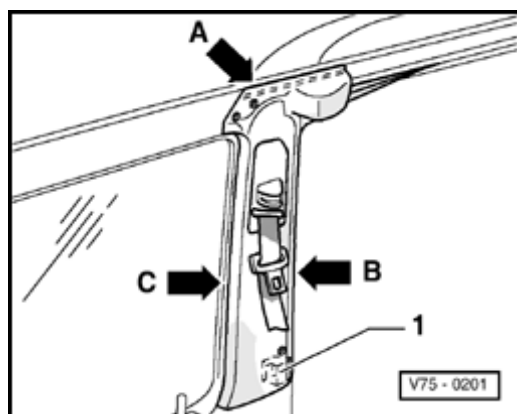
**6 - Sliding door gasket**

**7 - Clip**

- ◆ Two-piece
- ◆ Install sleeve in B-pillar hole, install pin in trim.



### Upper B-pillar trim (right), removing/installing

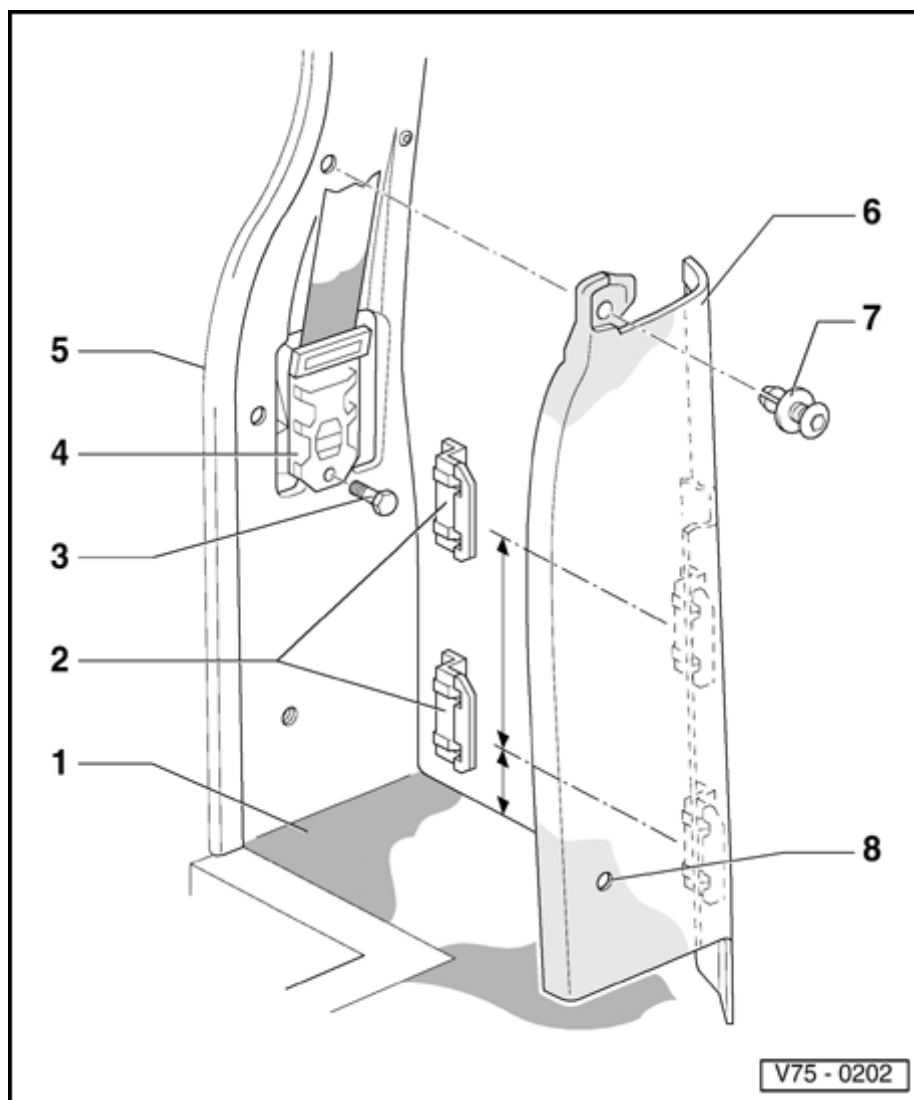


A

- Remove seat belt anchor cap and hex screw at bottom of B-pillar.
- Unclip and remove trim in following sequence:
  - ◆ Along molded headliner -arrow A-.
  - ◆ Right -arrow B-.
  - ◆ Left -arrow C-.
- Remove B-pillar trim starting at clip -1- position.

### Upper B-pillar (right), sliding door side, removing and installing

- Clip trim onto B-pillar and into spring clips on headliner (arrow -A-), in installed position. Ensure correct installation of clip -1- and belt height adjustment mechanism.
- After installing trim, ensure correct positioning of gaskets (arrows -B- and -C-).



## Lower B-pillar trim, removing and installing

### Note:

To remove lower B-pillar trim, first remove upper B-pillar trim, right side ⇒ [Page 70-60](#) .

#### 1 - Crossmember piece

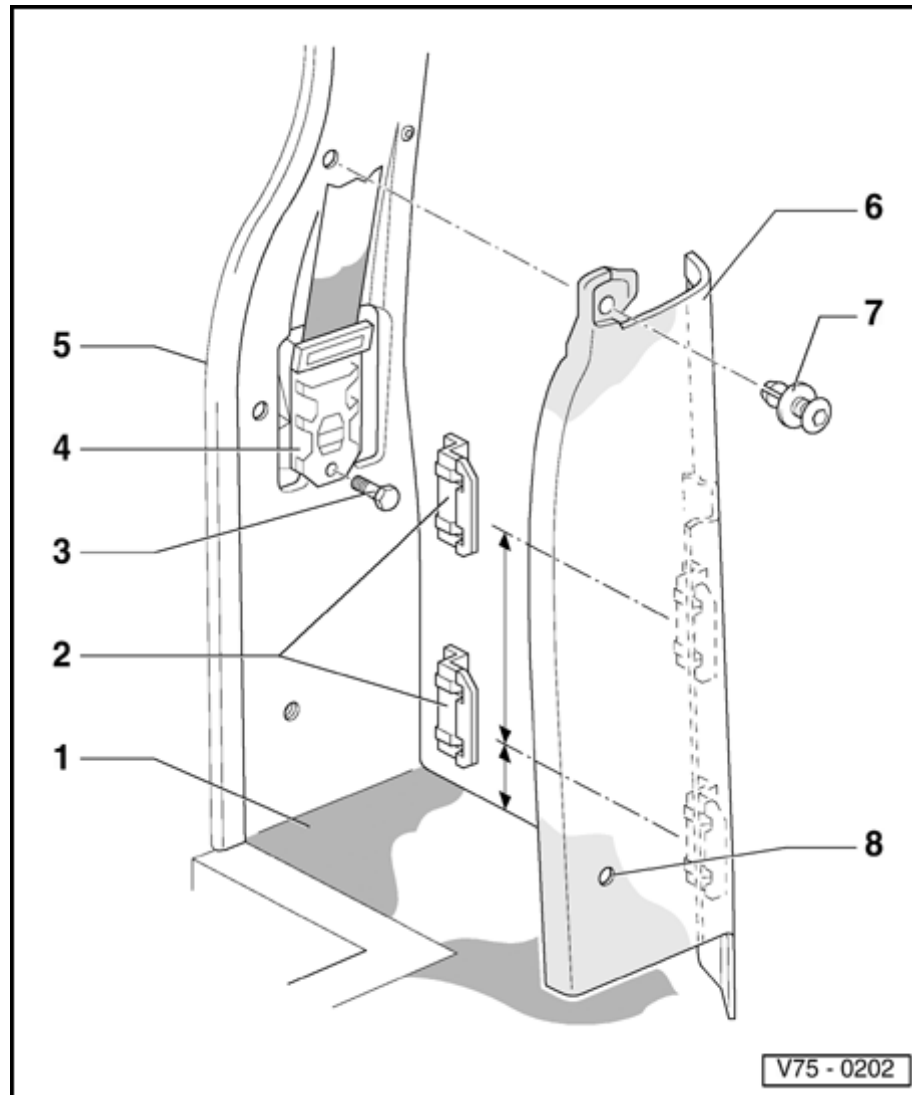
#### 2 - Spring clips

- ◆ Distance of clips from cross member piece -1-.
  - a = 120 mm (approx. 4.6 in.)
  - b = 200 mm (approx. 7.8 in.)

#### 3 - Hex bolt

- ◆ 40 Nm (30 ft lb)

#### 4 - Automatic tensioning seat belt retractor

**5 - Gasket**

- ◆ After installing lower B-pillar trim, ensure correct positioning of gasket.

**6 - Lower B-pillar trim****7 - Clip**

- ◆ Two-piece
- ◆ Removing: Use Allen wrench
- ◆ Installing: Press outer and inner parts into hole one after the other

**8 - Anchor point for seat belt**