

C-pillar trim

C-pillar trim (left), components

Notes:

- ◆ Before removing C-pillar trim, any accessories (fluorescent light, heating controls, etc.) must be removed first.
- ◆ To remove left C-pillar trim first remove upper B-pillar trim ⇒ [Page 70-52](#) .

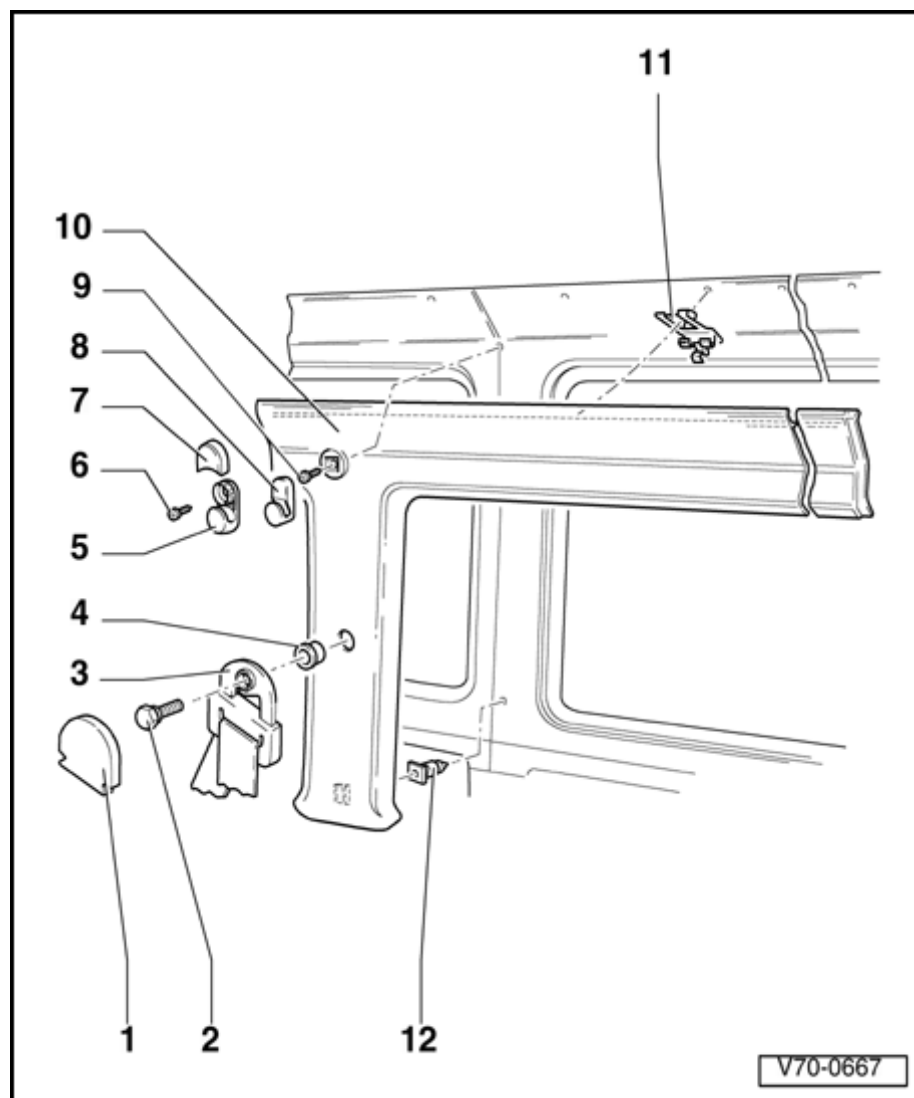
1 - Cover

2 - Hex bolt

- ◆ 40 Nm (30 ft lb)

3 - D-ring

4 - Bushing

**5 - Coat hook**

- ◆ From 03.92

6 - Phillips screw**7 - Cap****8 - Coat hook**

- ◆ Up to 02.92

9 - Phillips screw**10 - C-pillar trim (left)**

- ◆ Removing ⇒ [Page 70-65](#)

- ◆ Installing ⇒ [Page 70-66](#)

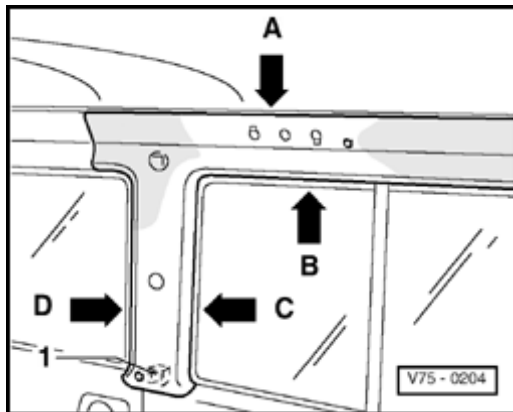
11 - Spring clip**12 - Clip**

- ◆ Two-piece

- ◆ Install C-pillar sleeve in hole , then install pin in trim.

C-pillar trim (left), removing

- Remove upper B-pillar trim ⇒ [Page 70-52](#) .
Remove additional equipment if present.
- Remove coat hook cap and/or pry out coat hook.
- Remove coat hook and/or Phillips screw underneath.



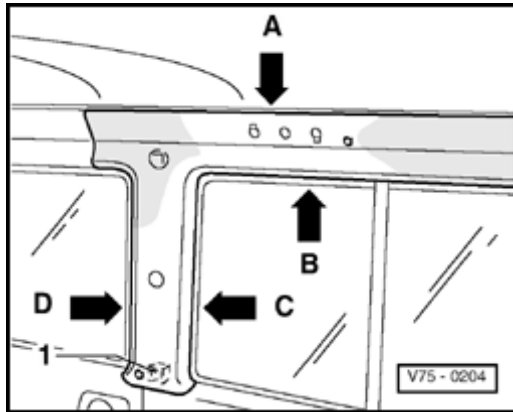
A

- Unclip and remove trim in following sequence:
 - ◆ Along molded headliner -arrow A-
 - ◆ Window beam -arrow B-
 - ◆ Front C-pillar -arrow C-
 - ◆ Rear C-pillar -arrow D-
- Pull trim from C-pillar at clips -1- as much as possible.

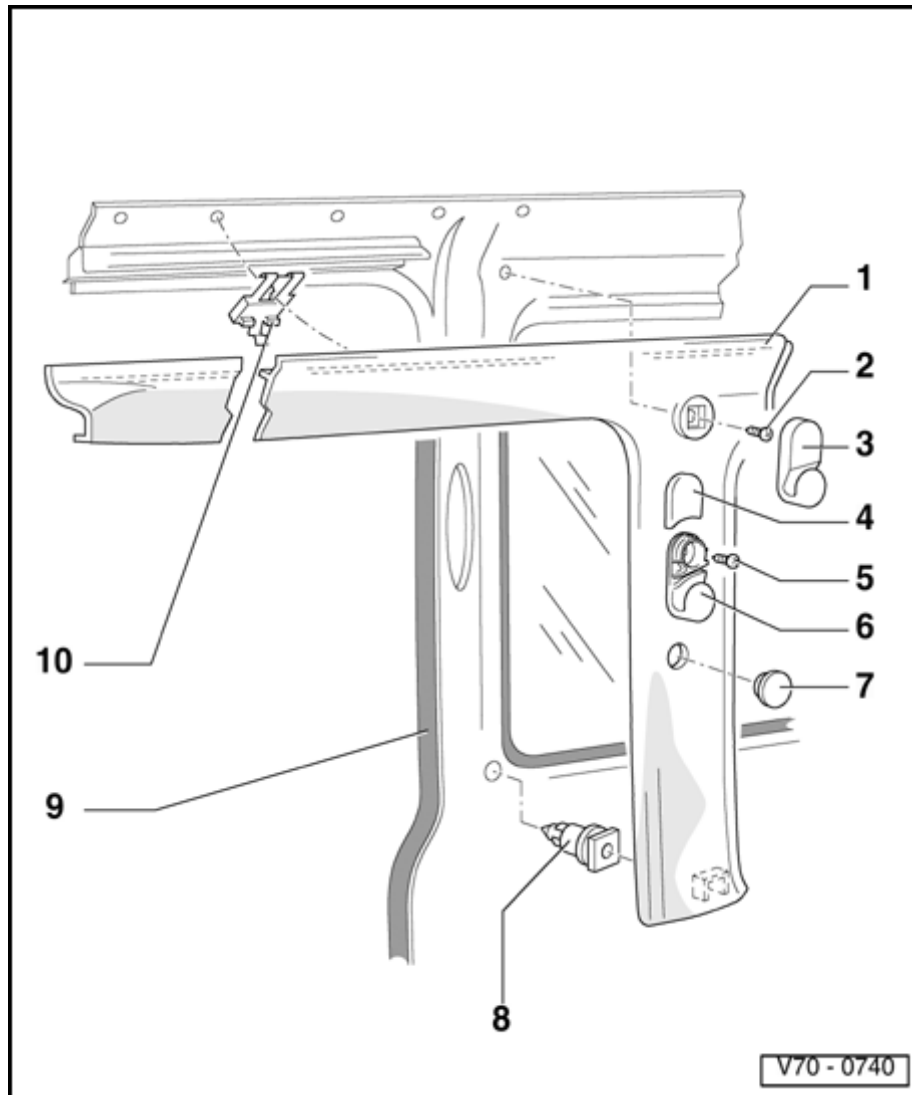
Note:

When gluing trim in window areas (arrows -B-, -C- and -D-), unclip a little at a time, while supporting trim from back with your hand or lever tool 80-200.

C-pillar trim (left), installing

**A**

- Place trim in installed position, simultaneously ensure correct clip -1- positioning.
- Clip trim in window areas (arrows -B-, -C- and -D-) and into spring clips on headliner (arrow -A-).



C-pillar trim (right), components

Note:

To remove right C-pillar trim, first remove B-pillar trim ⇒ [Page 70-58](#) .

1 - C-pillar trim (right)

◆ Removing ⇒ [Page 70-69](#)

◆ Installing ⇒ [Page 70-70](#)

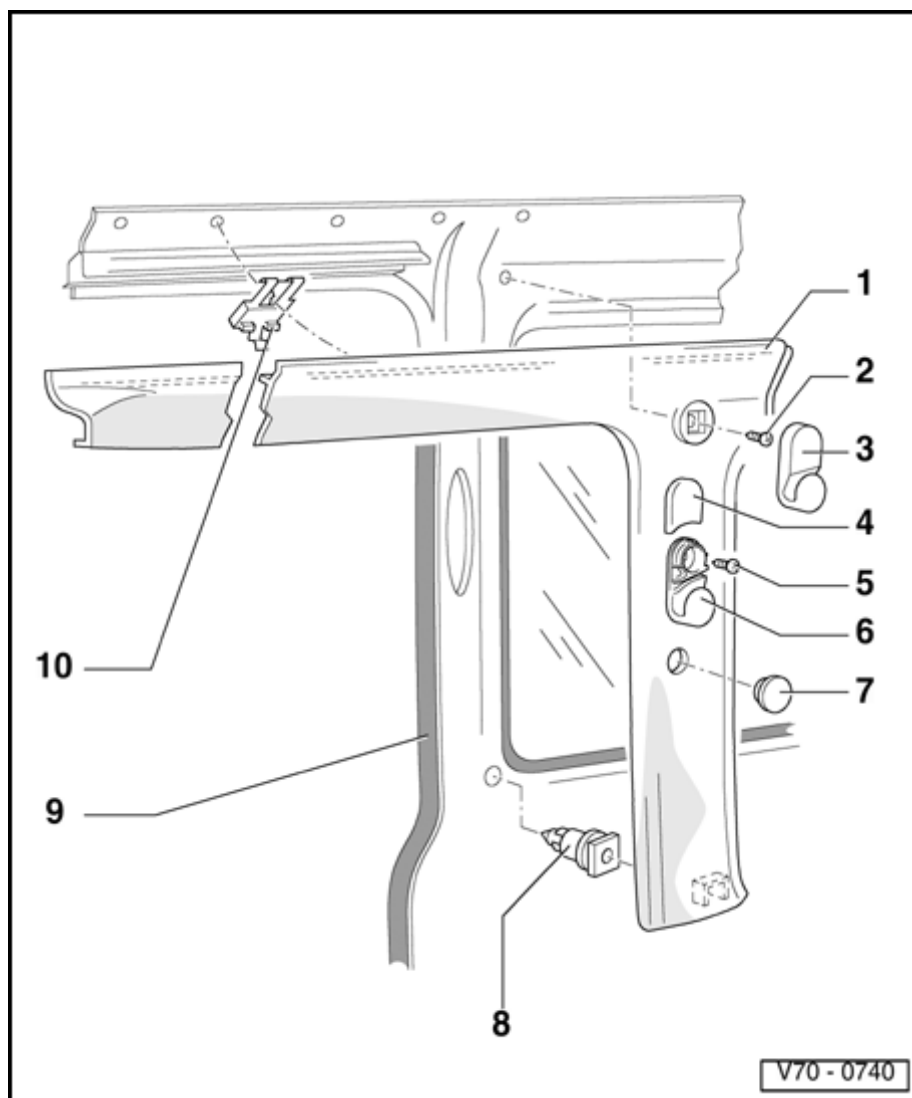
2 - Phillips screw

3 - Coat hook

◆ Up to 02.92

4 - Cap

5 - Phillips screw

**6 - Coat hook**

- ◆ From 03.92

7 - Cap

- ◆ Not included with automatic 3-point seat belts in the rear passenger compartment.

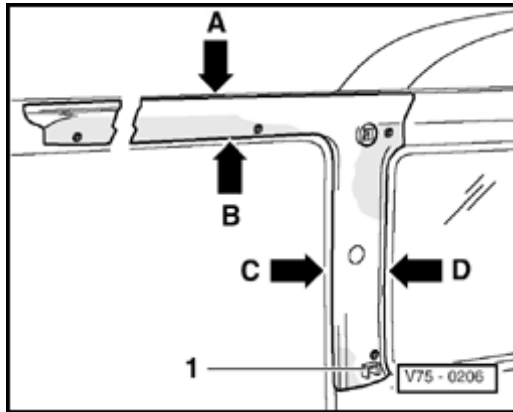
8 - Clip

- ◆ Two-piece
- ◆ When installing, insert sleeve in C-pillar hole and install pin in trim.

9 - Gasket

- ◆ After installing trim, ensure correct positioning of gasket

10 - Spring Clip



C-pillar trim (right), removing

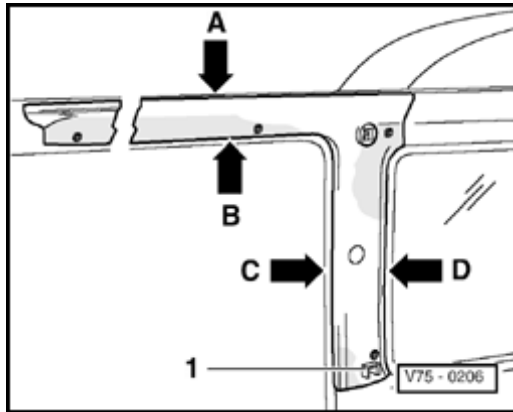
A

- Remove right upper B-pillar trim ⇒ [Page 70-58](#) .
- Remove coat hook cap and/or Phillips screw underneath.
- Remove coat hook.
- Unclip trim in following sequence:
 - ◆ Along molded headliner (arrow -A-)
 - ◆ Along door guide rail (arrow -B-)
 - ◆ Center bottom C-pillar, clip -1-
 - ◆ Right side, below arrow -C-
 - ◆ Left side, above arrow -D-

Note:

When gluing trim in window areas (arrow -D-), unclip a little at a time while supporting trim from the back with your hand or lever tool 80-200.

C-pillar trim (right), installing

**A**

- Place trim in installed position while ensuring correct positioning of clips -1-.
- Clip trim onto C-pillar in window areas (arrow -D-) and into spring clips on headliner (arrow -A-).
- Ensure correct gasket positioning (arrow -C-).