

D-pillar trim

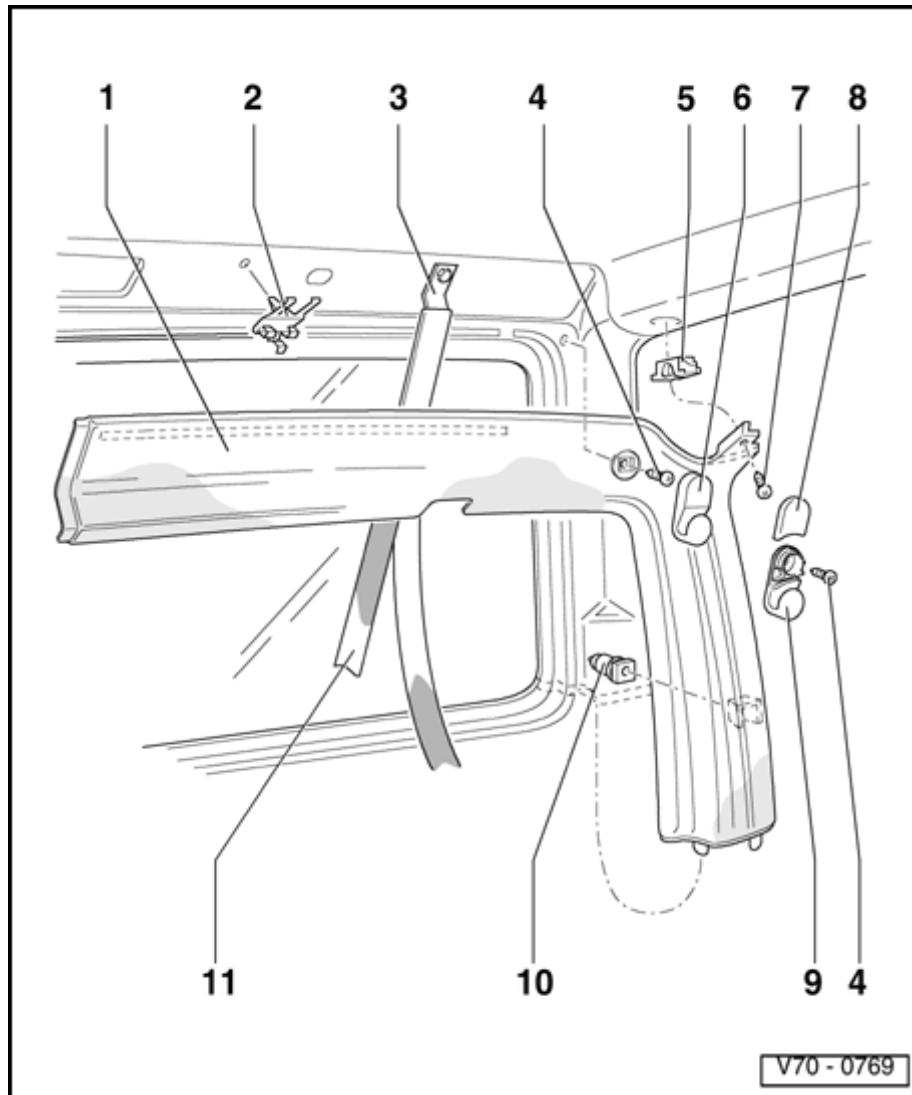
D-pillar trim, components

Notes:

- ◆ Removal description is given for only one side, other side is mirror image.
- ◆ To remove D-pillar trim, first remove rear headliner trim ⇒ [Page 70-79](#)
- ◆ Left upper B-pillar trim ⇒ [Page 70-52](#)
- ◆ Right upper B-pillar trim ⇒ [Page 70-58](#)
- ◆ Left C-pillar trim ⇒ [Page 70-65](#)
- ◆ Right C-pillar trim ⇒ [Page 70-69](#)

1 - D-pillar trim

- ◆ Removing ⇒ [Page 70-74](#)
- ◆ Installing ⇒ [Page 70-75](#)



2 - Spring clip

3 - D-ring for seat belt

◆ Bolted to window frame with hex bolt

◆ 40 Nm (30 ft lb)

4 - Phillips screw

5 - Clip

6 - Coat hook

◆ Up to 02.92

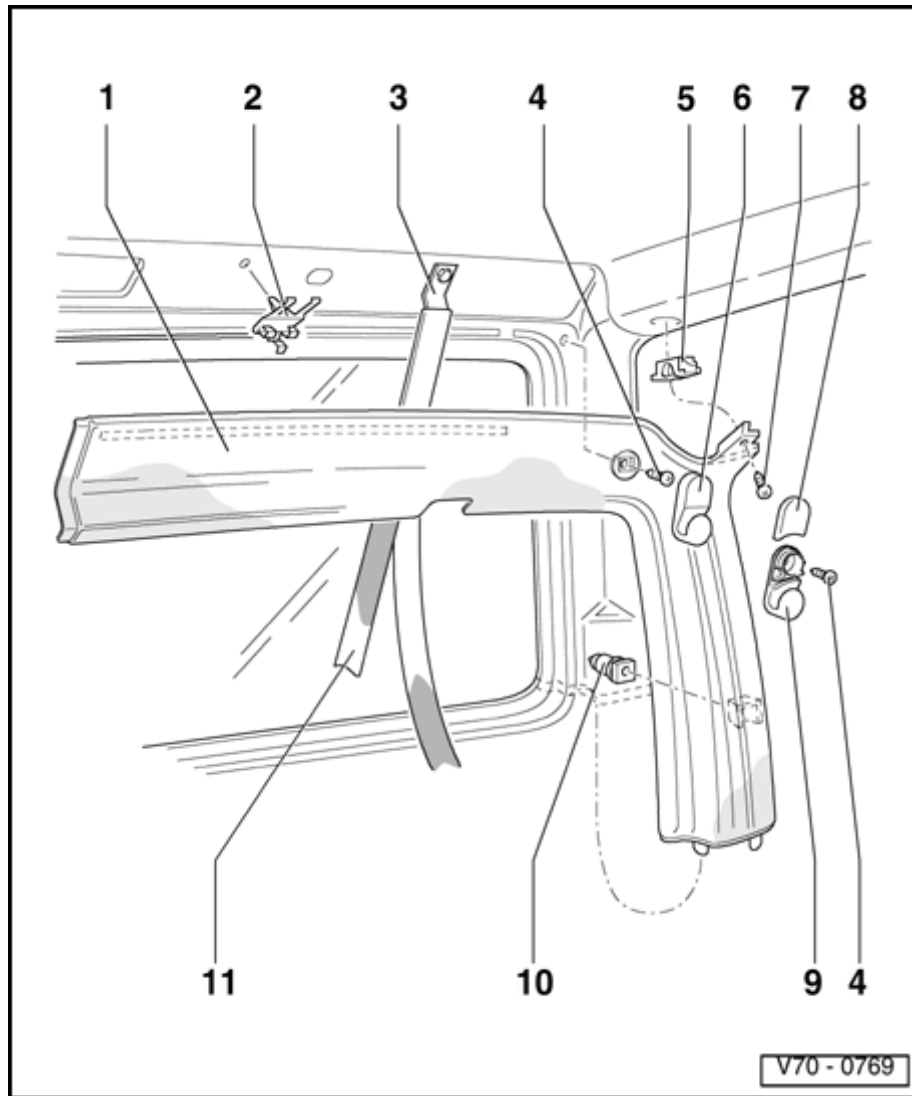
7 - Phillips screw

8 - Cover

9 - Coat hook

◆ From 03.92

70-73

**10 - Clip**

- ◆ Two-piece
- ◆ Insert sleeve in D-pillar hole, then install pin in trim.

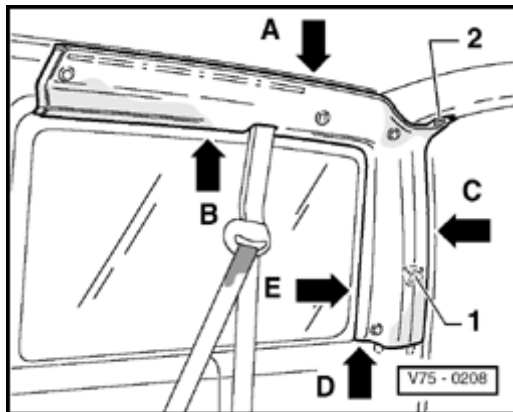
11 - Seat belt

D-pillar trim, removing

Note:

- ◆ Remove rear headliner trim ⇒ [Page 70-79](#) , left upper B-pillar trim ⇒ [Page 70-56](#) , right upper B-pillar trim ⇒ [Page 70-60](#) , left C-pillar trim ⇒ [Page 70-65](#) , right C-pillar trim ⇒ [Page 70-69](#) .

- Remove coat hook cover to remove Phillips screw, remove coat hook.



4

- Remove Phillips screw -2-.

- Unclip trim in following sequence:

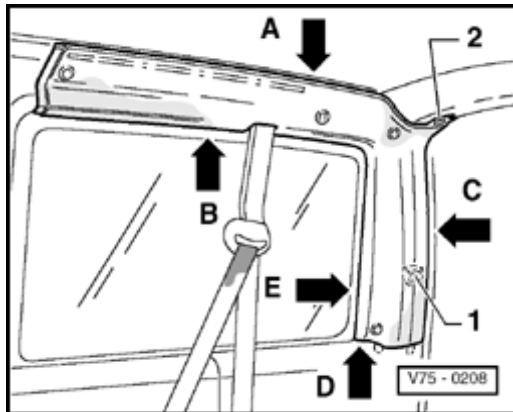
- ◆ Along molded headliner (arrow -A-)
- ◆ Window frame (arrow -B-)
- ◆ Rear D-pillar (arrow -C-)
- ◆ Loosen clip -1-
- ◆ Remove D-pillar trim from bottom (arrow)
- ◆ Front D-pillar (arrow -E-)

-

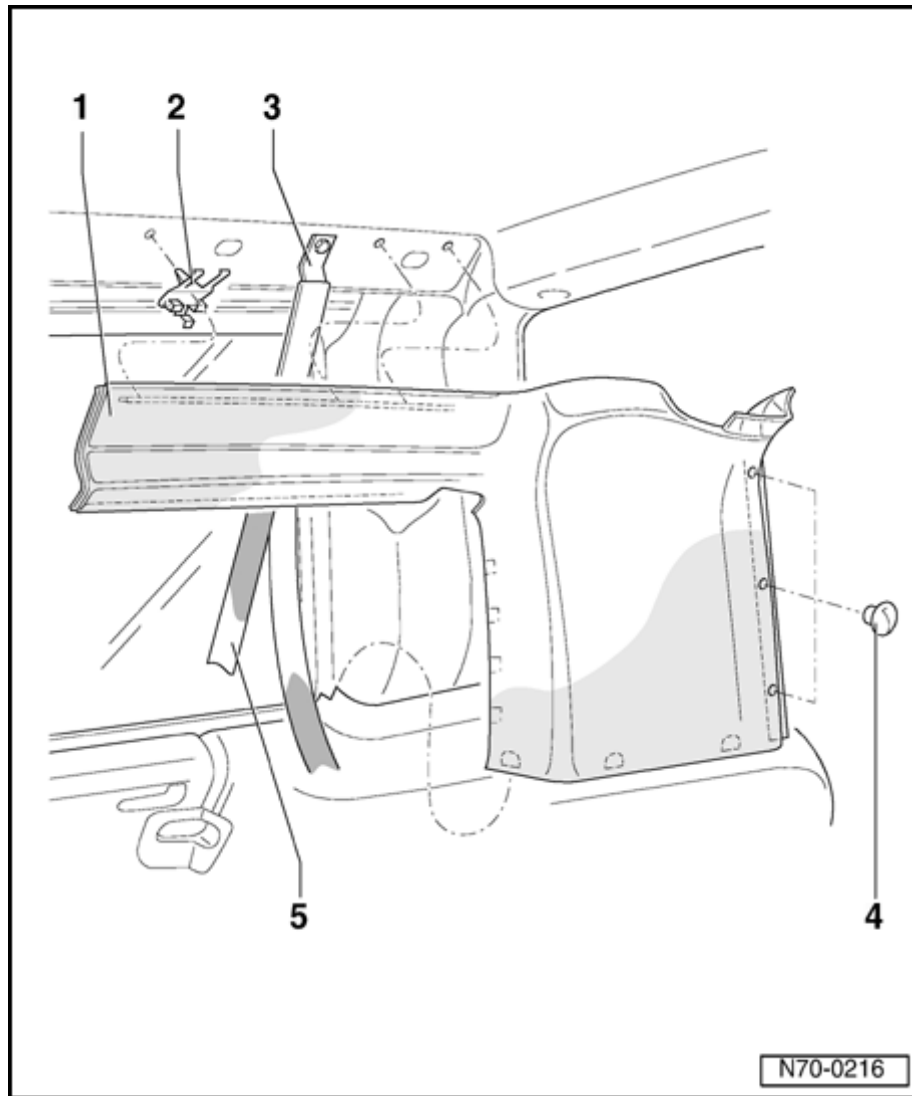
D-pillar trim, installing

Note:

When gluing trim in window areas (arrows -B-, -E-) unclip short sections while supporting trim from the back by hand or lever tool 80-200.

**A**

- Install trim on bottom (arrow -D-), place in installation position and ensure correct positioning of clip -1- simultaneously.
- Clip D-pillar trim into clamps on headliner (arrow -A-) and in window area (arrows -B- and -E-).
- Ensure correct positioning of gasket (arrow -C-).



D-pillar trim (vehicles with passenger compartment ventilation / air conditioning system), removing and installing

1 - D-pillar trim

◆ Removing ⇒ [Page 70-77](#)

◆ Installing ⇒ [Page 70-78](#)

2 - Clamp

3 - D-ring for safety belt

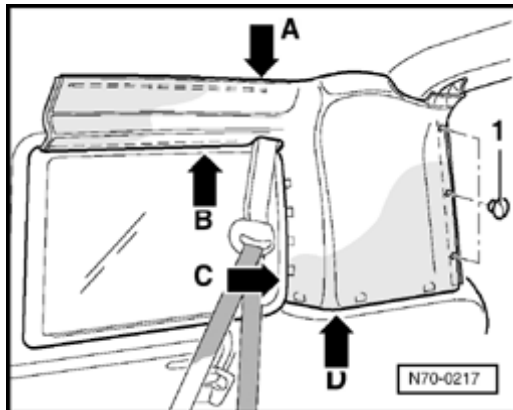
◆ Secured with hex bolt, 40 Nm

4 - Plug

5 - Safety belt

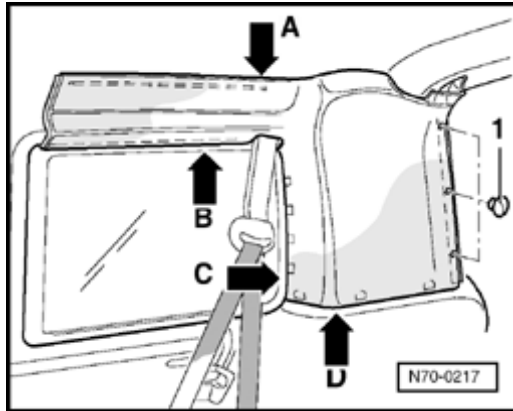
Removing

- Remove rear headliner trim ⇒ [Page 70-79](#)
- Remove upper B-pillar trim on sliding door side ⇒ [Page 70-58](#)
- Remove C-pillar trim on sliding door side ⇒ [Page 70-67](#)



- Turn out or pry out plug -1- with screwdriver.
 - ◆ Along molded headliner (arrow -A-)
 - ◆ Headliner trim (arrow -B-)
 - ◆ D-pillar, front (arrow -C-)
 - ◆ Unhook underside (arrow -D-)

Installing

**A**

- Insert trim on lower side (arrow -D-) and bring into installation position.
- Clip D-pillar trim in clamps on headliner trim (arrow -A-) and in window area (arrows -B- and -C-).
- Seat gasket properly in area of rear lid.
- Press plug -1-.