

Front door trim

Front door trim, components

1 - Front door

2 - Retaining plate

◆ Secures insulation on door trim -6-

3 - Seal

4 - Insulation

5 - Blind rivet nut

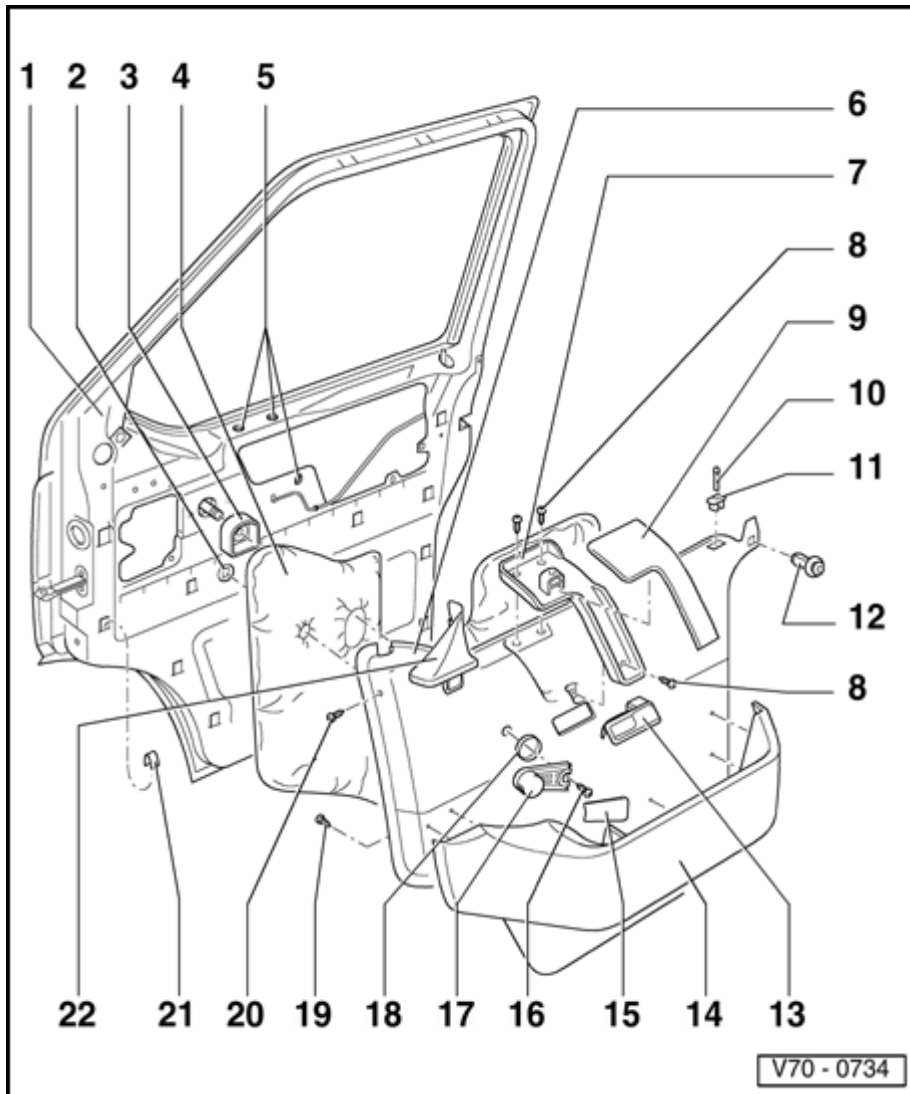
◆ Install with blind rivet tool e.g. VAG 1618

6 - Door trim

◆ Removing ⇒ [Page 70-29](#)

7 - Handle

8 - Fillister head screws

**9 - Trim****10 - Locking knob**

- ◆ Threaded on

11 - Trim**12 - Clip**

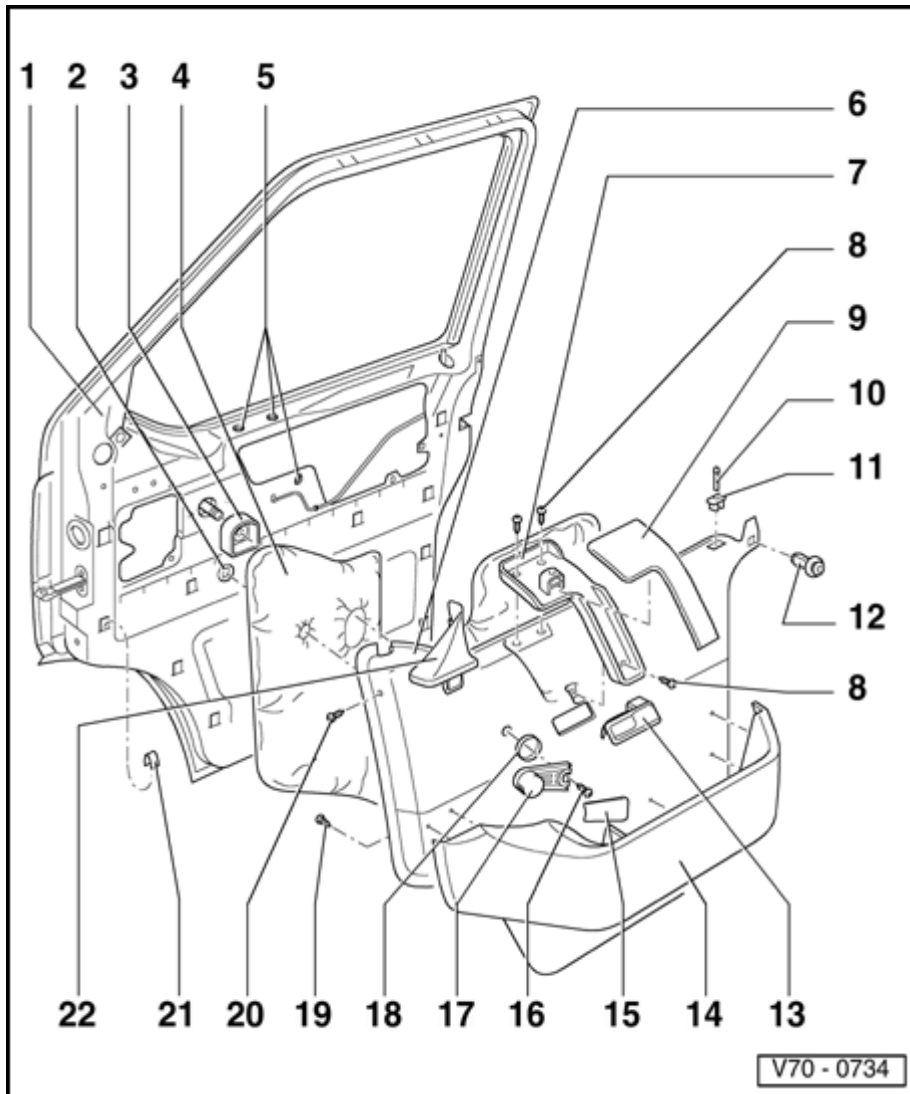
- ◆ Two-piece
- ◆ Removing: Remove inner part with Allen wrench
- ◆ Installing: Press outer and inner part into hole in sequence

13 - Inner door mechanism

- ◆ Unclip with door trim removed

14 - Door storage compartment

- ◆ Fastened to door trim with screws

**15 - Cover****16 - Phillips screw**

- ◆ 4.0 Nm (35 in. lb)

- ◆ Microencapsulated

17 - Window crank

- ◆ Removing ⇒ [Page 70-31](#)

- ◆ Installing ⇒ [Page 70-31](#)

18 - Crank shim**19 - Phillips screw**

- ◆ Secures door storage compartment -1- to door trim -6-.

20 - Phillips screw**21 - Hook****22 - Trim**