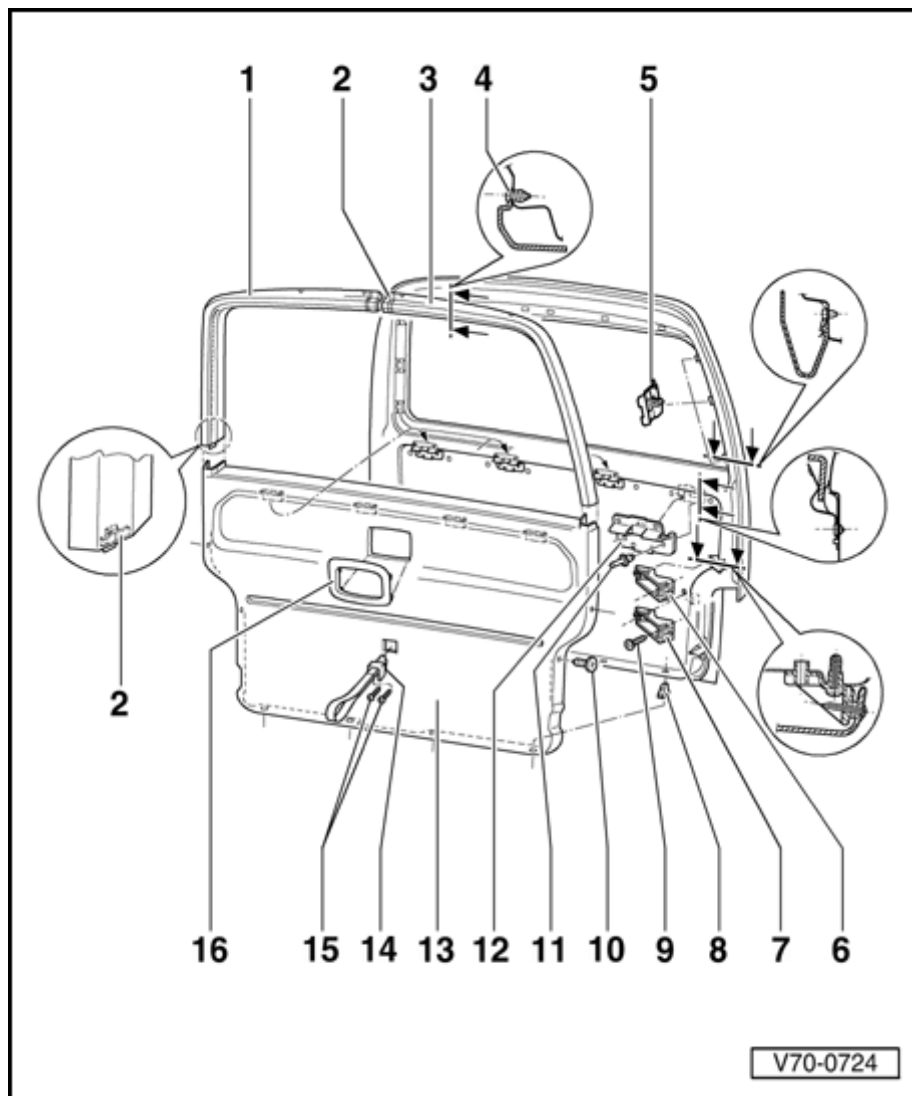


## Tailgate molded trim, components

- 1 - Right frame trim**
- 2 - Felt strip**
  - ◆ Self-adhesive - glued on back of trim
- 3 - Left frame trim**
- 4 - Expanding pins**
  - ◆ Removing: pry off
  - ◆ Installing: press in
- 5 - Spring clip**
- 6 - Clip**
  - ◆ left and right
- 7 - Clip**
  - ◆ left and right

**8 - Expanding nut**

- ◆ Remains in tailgate

**9 - Phillips screw**

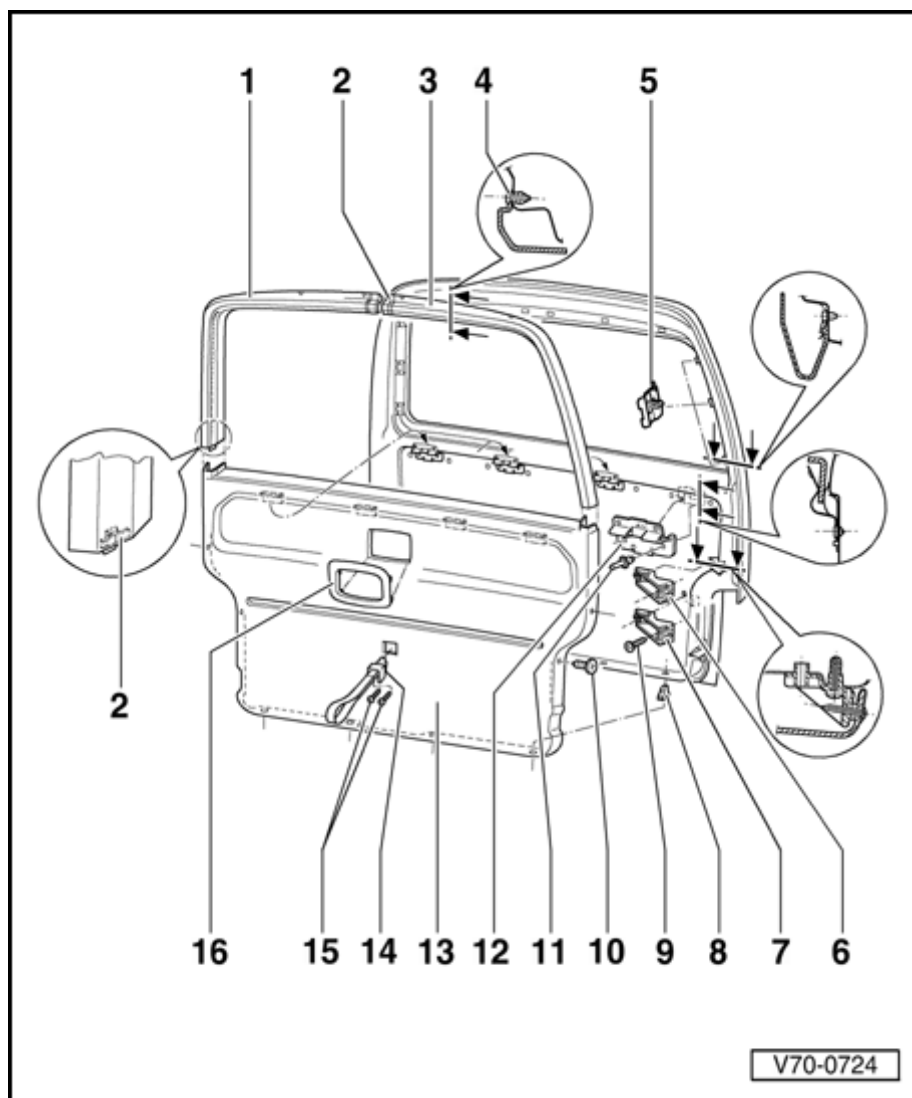
- ◆ Secures clips -6- and -7-

**10 - Phillips screw**

- ◆ Secures molded trim -13-

**11 - Banjo bolt****12 - Clamp**

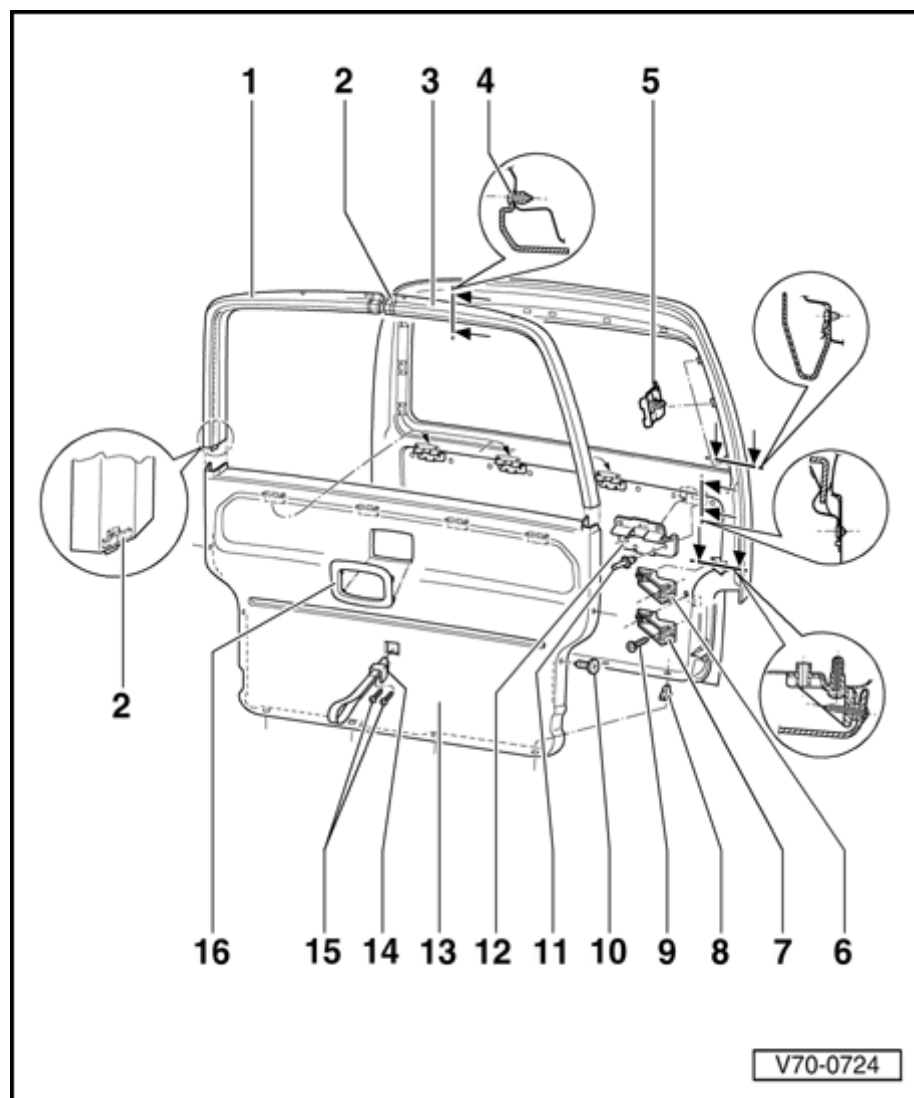
- ◆ Expand to install molded trim ⇒ [Page 70-130](#)



### 13 - Molded trim panel

#### ◆ Removing:

- Press trim -16- up and unhook
- Remove Phillips screws -15- and unhook strap
- Pry out expanding pins -4-, unclip left frame trim -3-, right frame trim -1-.
- Remove screws -10-.
- Pull molded trim out slightly from tailgate in lower area and press upward out of clamps -12-.
- Expand clamps -12- ⇒ [Page 70-130](#) .
- After installing molded trim, pull auxiliary wedges out of clamp -12-.



#### 14 - Strap

- ◆ Removing: Remove Phillips screws -15-, unhook strap from mounting hole.
- ◆ Retrofitting ⇒ [Page 70-132](#) .

#### 15 - Phillips screw

- ◆ Two-piece

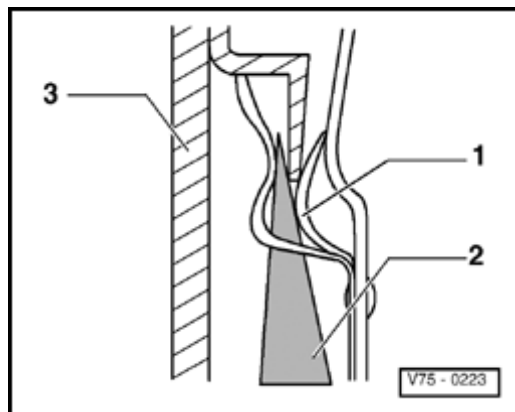
#### 16 - Trim

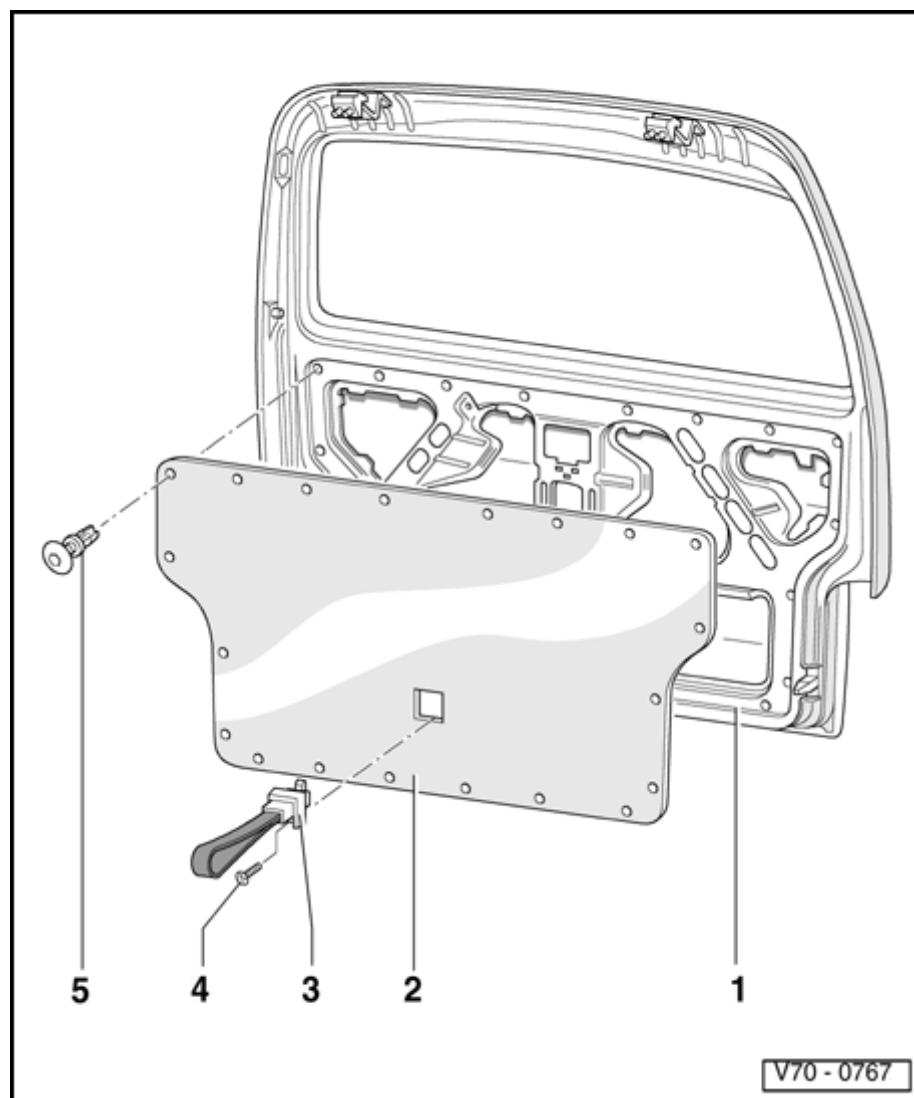
- ◆ Press upward, unhook to remove

### Clamps, expanding

**A**

- Expand clamps -1- with shop made auxiliary wedges -2- (wood or plastic).
- Install molded trim -3-.
- Pull out auxiliary wedges -2- or, when molded trim is installed, auxiliary wedges will fall out by themselves.





## Tailgate fiber board trim, components

1 - Tailgate

2 - Trim panel (fiber board)

3 - Strap

4 - Phillips screw

◆ Retrofitting ⇒ [Page 70-132](#)

5 - Clip

◆ Two parts

◆ Removing: remove inner part with Allen wrench

◆ Installing: Press outer and inner parts into hole simultaneously

## Tailgate strap, retrofitting

### **CAUTION!**

***Part numbers are for reference only. Always check with your Parts Department for latest information.***

### **Parts required**

#### **Vehicle with trim panel**

Strap - Part No.701 829 621 01 C

Double Clip - Part No. 701 829 623

2 fillister head screws (B 4.8 x 22) N 012 971 3

#### **Vehicle with molded trim**

Strap Part No.:

703 829 621 01C

703 829 621 3KX

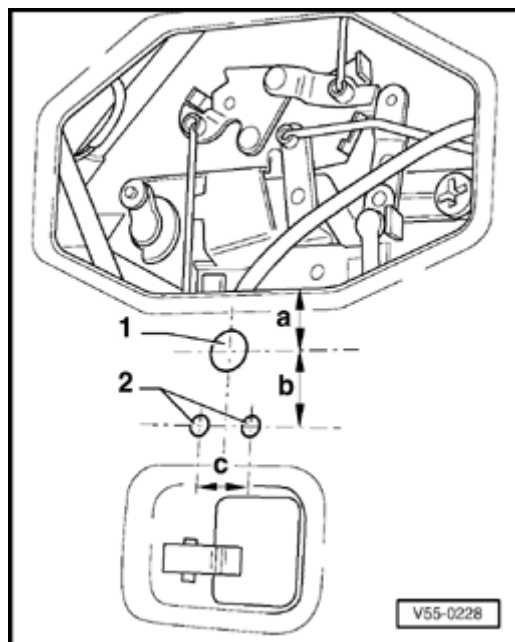
703 829 621 9UW

703 829 621 9XK

Double clip - Part No. 701 829 623

2 fillister head screws (B 4.8 x 38), Part No. N  
013 938 3





**A** - Mark holes -1- and -2-, drill:

a = 22 mm (0.86 in.)

b = 29 mm (1.14 in.)

c = 21 mm (0.82 in.)

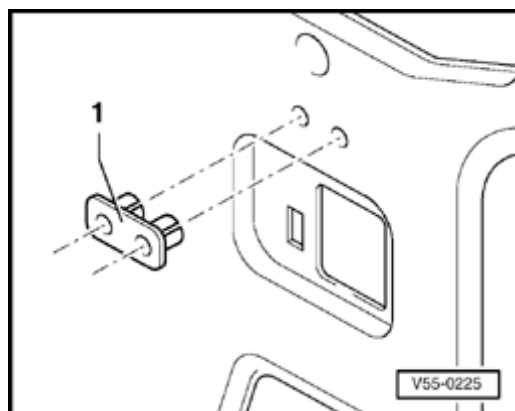
1 = 16 mm dia. (0.62 in.)

2 = 8.1 mm dia. (0.31 in.)

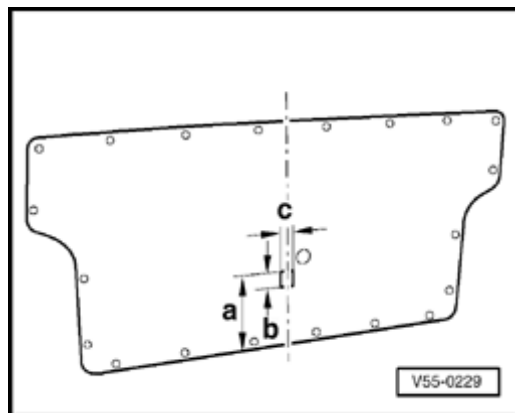
- Deburr holes and apply corrosion protection as necessary.

**Note:**

*The following method is suitable for paint damage in non-visible areas: coat twice (wet on wet) with glass/paint primer D 009 200 02 or equivalent, drying time approx. 10 minutes.*



**A** - Clip double clip -1- in two bottom holes.



A

**Trim panel (single)**

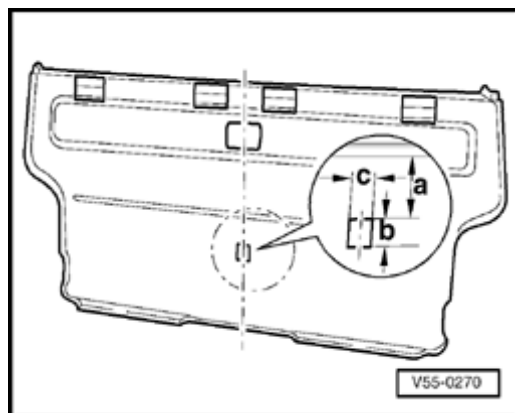
- Draw cut out on trim according to these dimensions:

a = 220 mm (8.66 in.)

b = 42mm (1.65 in.)

c = 35 mm (1.37 in.)

Drill through in the corner points with drill (8.0 mm dia.), cut out (e.g. with body saw VAG 1523 or equivalent).



A

**Molded trim panel**

- Draw cut out on the back side of trim according to these dimensions:

a = 90 mm (3.54 in.)

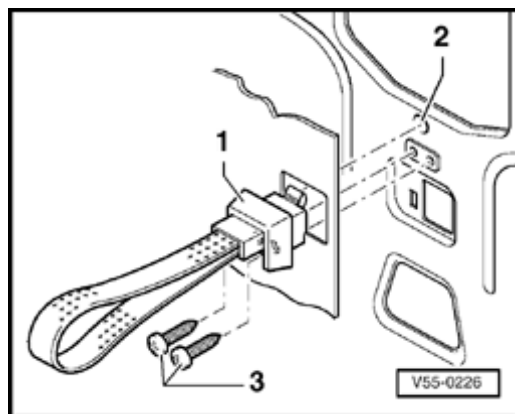
b = 42 mm (1.65 in.)

c = 30 mm (1.18 in.)

Drill through in corner points with drill (8.0 mm dia.), cut out (e.g. with body saw VAG 1523 or equivalent)

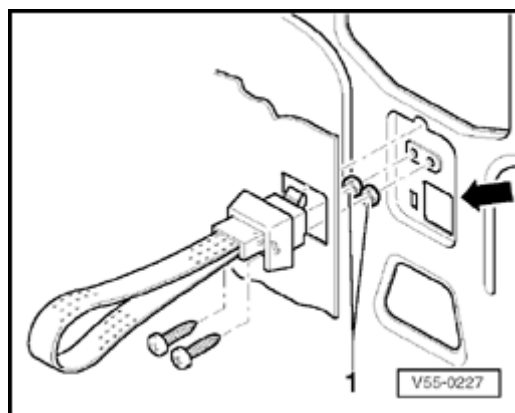
- Mount trim panel or molded trim panel on tailgate.

70-135



- A - Hook strap -1- with locking tab in upper hole -2-, fasten with fillister screws -3-.

**Note:**



- A *On tailgates with large inner sheet metal recesses (arrow), two additional spacers, 5.0 mm (0.19 in.) height (e.g. nuts M6 -1-) are placed underneath for height adjustment*