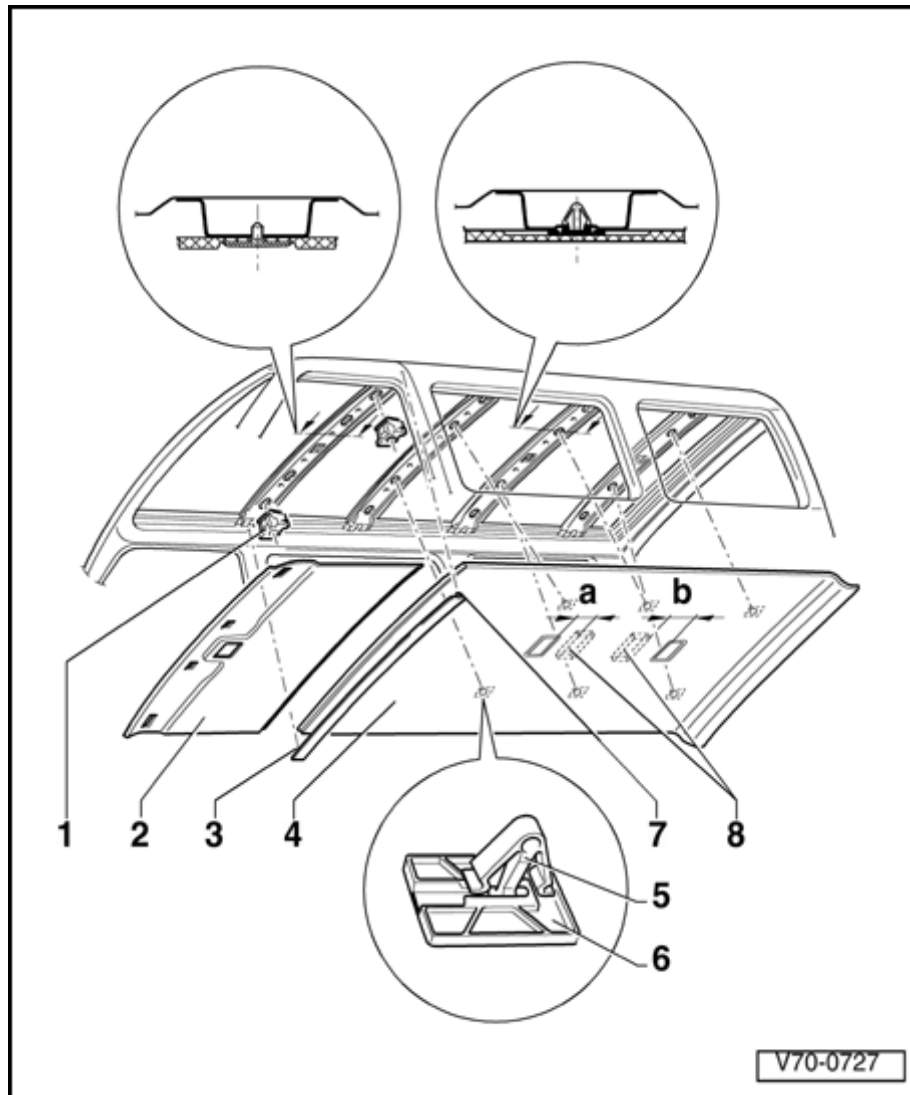


Molded headliner

Molded headliner, components

Notes:

- ◆ To remove molded headliner in front passenger compartment, remove upper B-pillar trim ⇒ [Page 70-56](#) and ⇒ [Page 70-60](#) , A-pillar trim ⇒ [Page 70-49](#)
- ◆ To remove rear molded headliner, remove upper B-pillar trim ⇒ [Page 70-56](#) and ⇒ [Page 70-60](#) , C-pillar trim ⇒ [Page 70-65](#) and ⇒ [Page 70-69](#) , D-pillar trim ⇒ [Page 70-71](#) , rear headliner trim ⇒ [Page 70-79](#)

**1 - Mounting clip**

- ◆ Two-piece

2 - Front passenger compartment molded headliner

- ◆ Removing ⇒ [Page 70-122](#)

3 - Cover strip**4 - Rear passenger compartment molded headliner**

- ◆ Removing ⇒ [Page 70-123](#)

- ◆ Installing ⇒ [Page 70-125](#)

5 - Clip

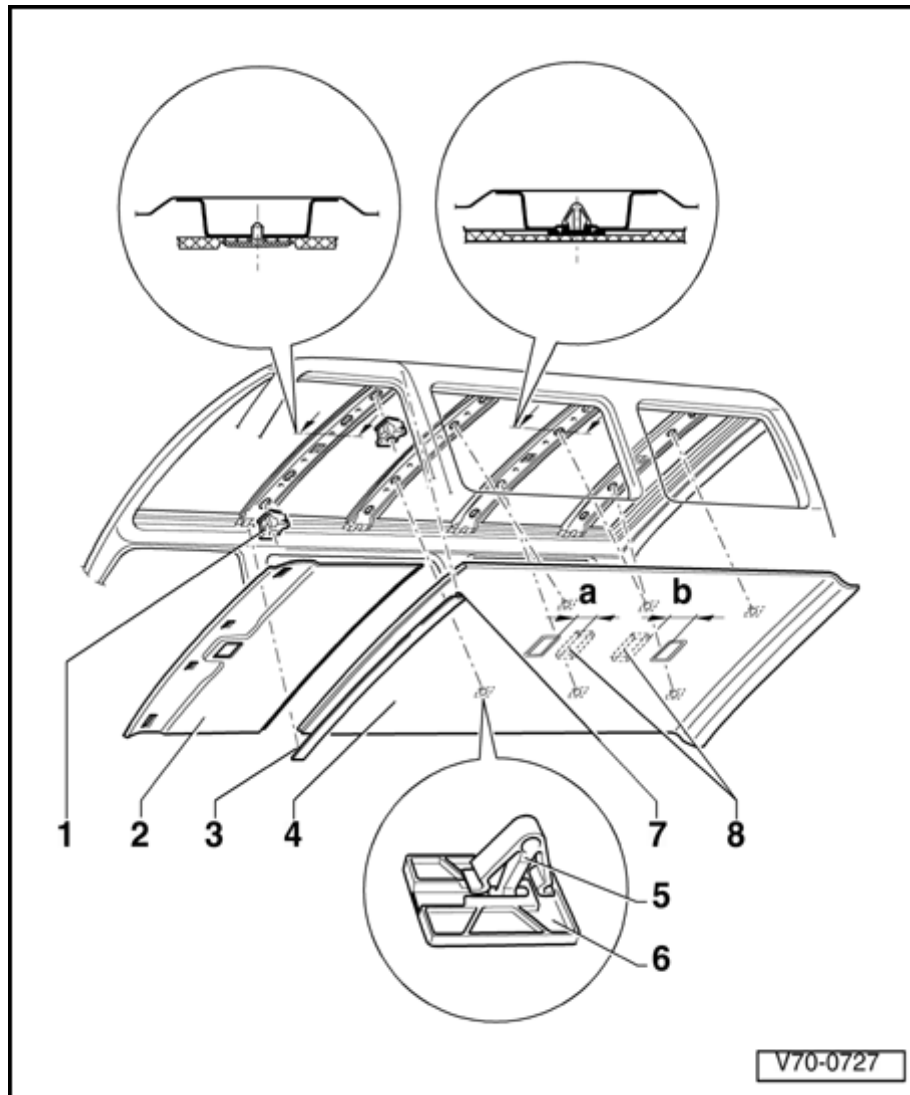
- ◆ Six pieces

6 - Clip holder

- ◆ Six pieces
- ◆ Self-adhesive

7 - Clip

- ◆ Eight pieces

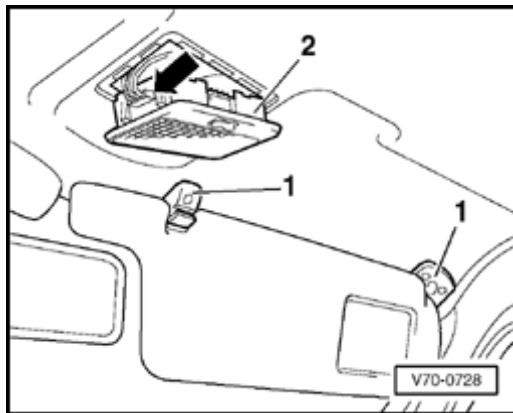


8 - Spacer block

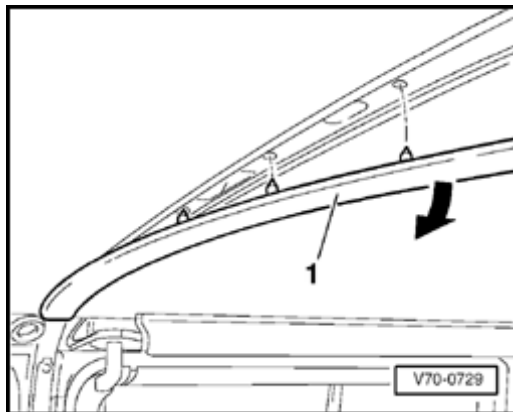
- ◆ Only on vehicles without A/C
- ◆ Two-piece
- ◆ Self-adhesive, glued to back of molded headliner
- ◆ a = 60 mm (approx. 2.4 in.) (back edge cut out for front interior light to front edge of spacer block)
- ◆ b = 60 mm (approx. 2.4 in.) (front edge cut out for rear interior light to rear edge of spacer block)

Front passenger compartment molded headliner, removing

- Remove upper B-pillar trim ⇒ [Page 70-56](#) and ⇒ [Page 70-60](#)



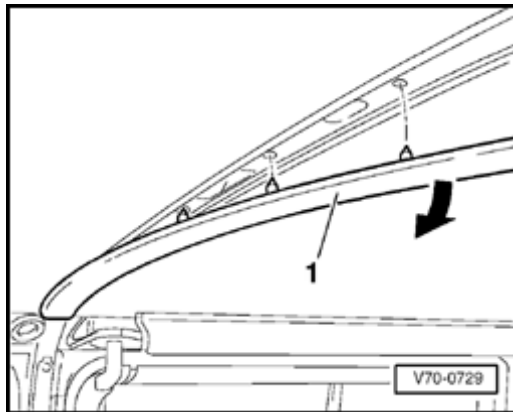
- A - Remove A-pillar trim ⇒ [Page 70-49](#) .
- Remove bracket -1- for sun visors and disconnect electrical connector for illuminated vanity mirror.
- Remove Front Interior Light -W- -2- and disconnect electrical connector (arrow).



- A - Unclip cover strip -1-.
- Remove front passenger compartment molded headliner by pulling downward.

Rear passenger compartment molded headliner, removing

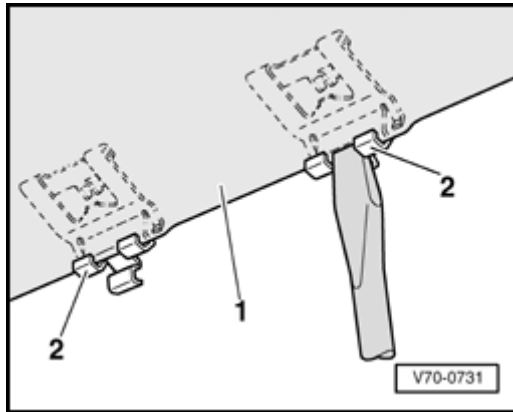
- Remove upper B-pillar trim ⇒ [Page 70-56](#) and ⇒ [Page 70-60](#) .
- Remove C-pillar trim ⇒ [Page 70-65](#) and ⇒ [Page 70-69](#) .
- Remove rear headliner trim ⇒ [Page 70-79](#) .
- Remove D-pillar trim ⇒ [Page 70-71](#) .

**A**

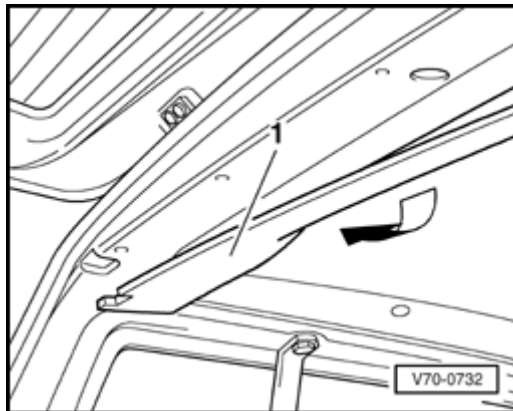
- Unclip cover strip -1-.

**A**

- Remove Rear/Luggage Compartment Interior Light -W- -1- and Center Interior Light -W 7- -1- in rear passenger compartment and disconnect electrical connectors -2-.

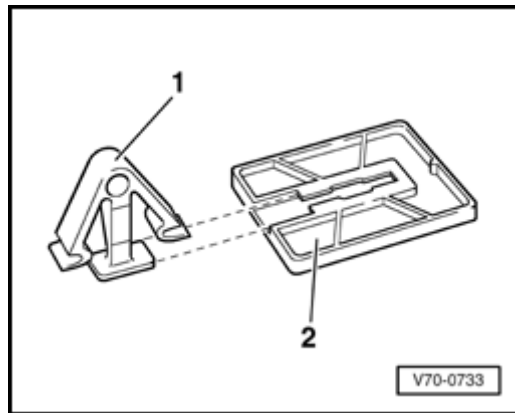


- A** - Carefully pry molded headliner -1- out of clips on headliner.



- A** - Slightly lower molded headliner -1- in rear area and pull back out of clips, out of vehicle (arrow).

Passenger compartment molded headliner, installing

**A**

- Turn clips -1- 90°, remove from slots on roof bow and install in clip holder (on back side of molded headliner).
- Mount molded trim into position and clip under headliner.