

## Sliding door trim

### Sliding door molded trim, components

#### 1 - Frame trim, front

- ◆ Removing: Pry out plug -2-

#### 2 - Plug

#### 3 - Clamp

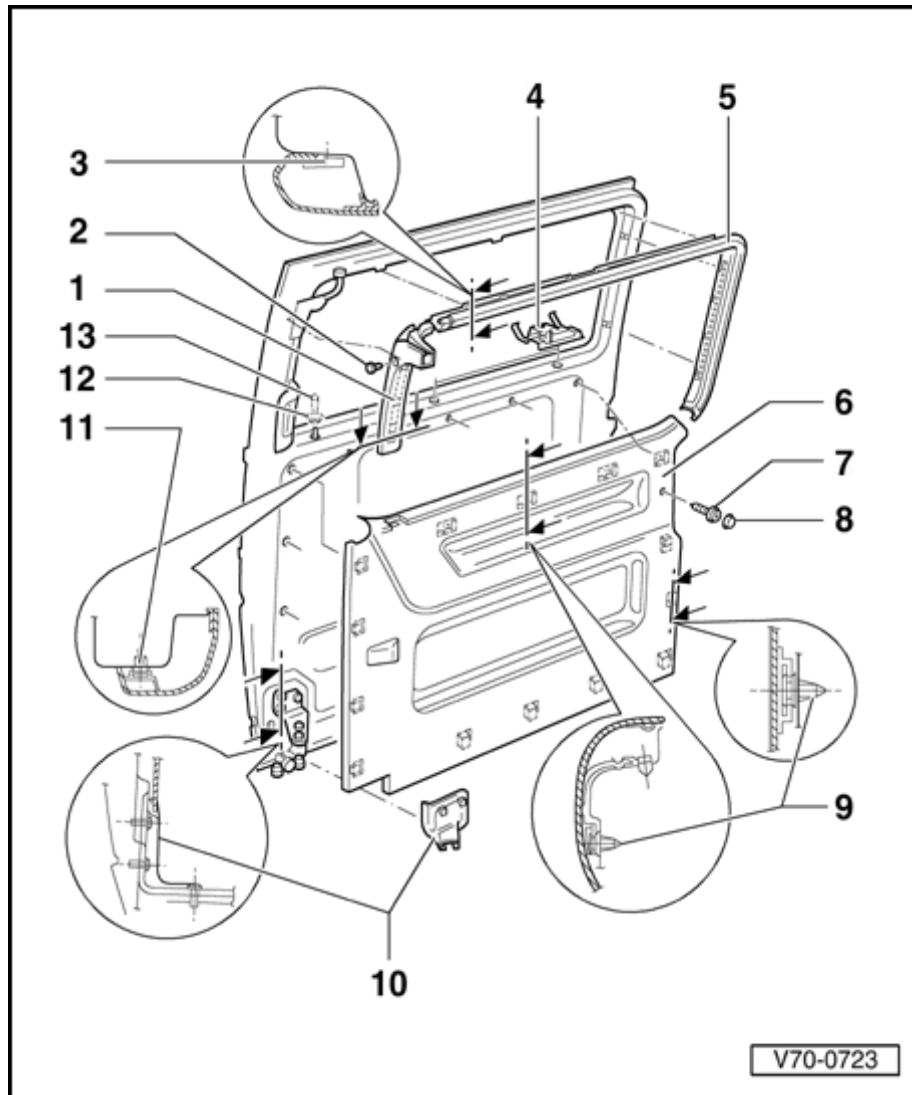
- ◆ On window frame, top

#### 4 - Spring clip

- ◆ On window frame, lower

#### 5 - Frame trim, rear

- ◆ Unclip



### 6 - Lower sliding door molded trim

#### ◆ Removing:

- Remove locking knob -13-, pry off trim -12-.
- Pry off cap -8-, remove Phillips screw -7-.
- Pry out plug -2-, unclip front frame trim -1- and rear frame trim -5-.
- Unclip lower sliding door molded trim -6-.

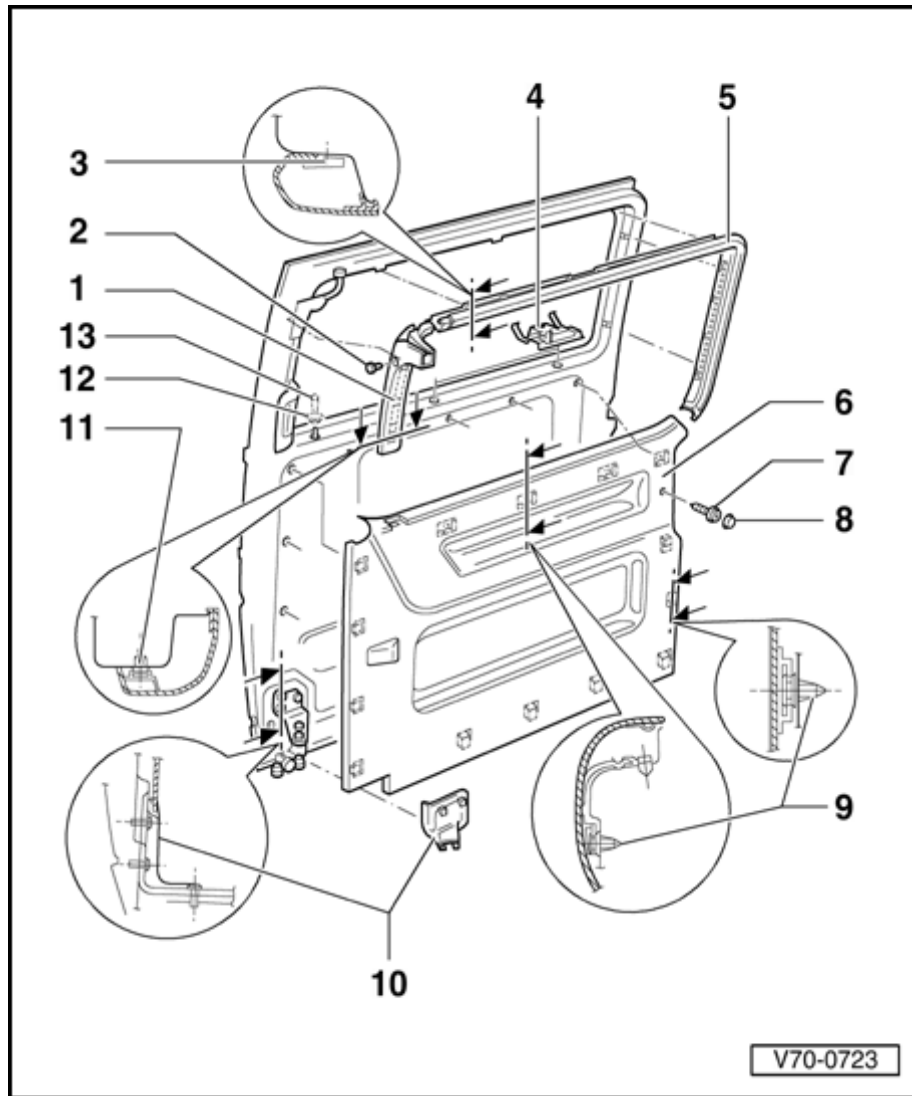
### 7 - Phillips screw

### 8 - Cover

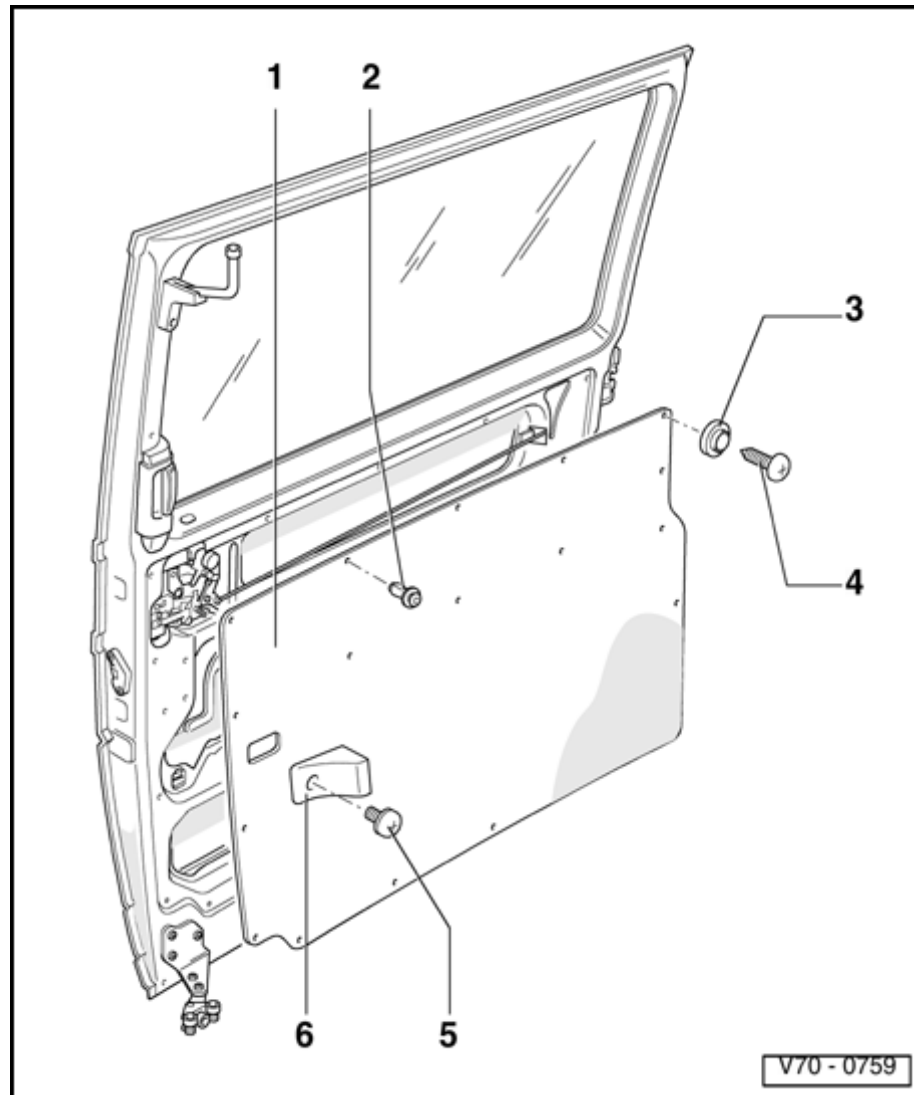
### 9 - Clip

### 10 - Roller guide trim, bottom

#### ◆ Clipped



- 11 - Clip
- 12 - Trim
- 13 - Locking knob



## Lower sliding door trim panel, components

### 1 - Trim panel

#### ◆ Removing:

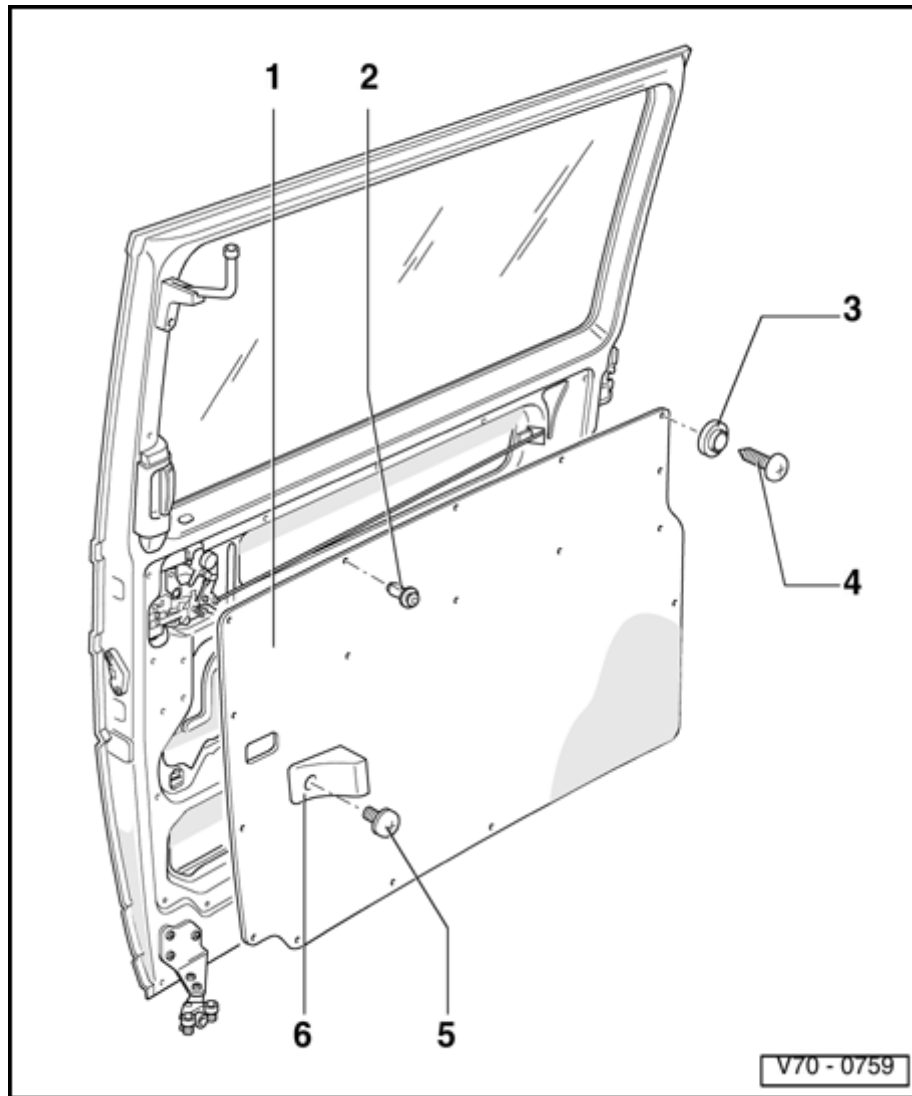
- Remove screw -5- and center stop -6-.
- Remove Phillips screw -4-.
- Remove clips -2- with Allen wrench and remove trim.

### 2 - Clip

#### ◆ Two-piece

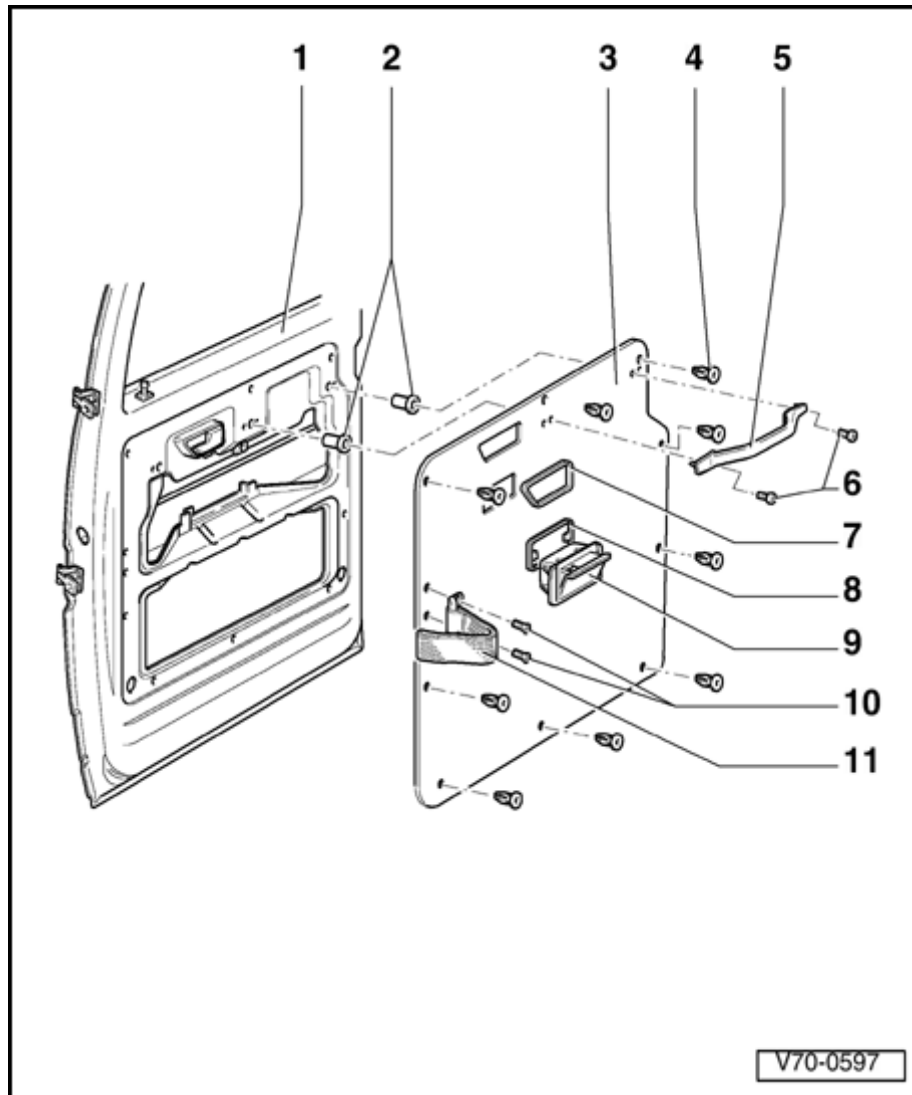
- ◆ Removing: Remove inner part with Allen wrench.
- ◆ Installing: Press outer and inner parts into hole in sequence.

70-44

**3 - Washer****4 - Phillips screw****5 - Screw**

◆ 19 Nm (14 ft lb)

**6 - Center stop**



## Double door trim, components

### 1 - Side hinged door

### 2 - Blind rivet nut

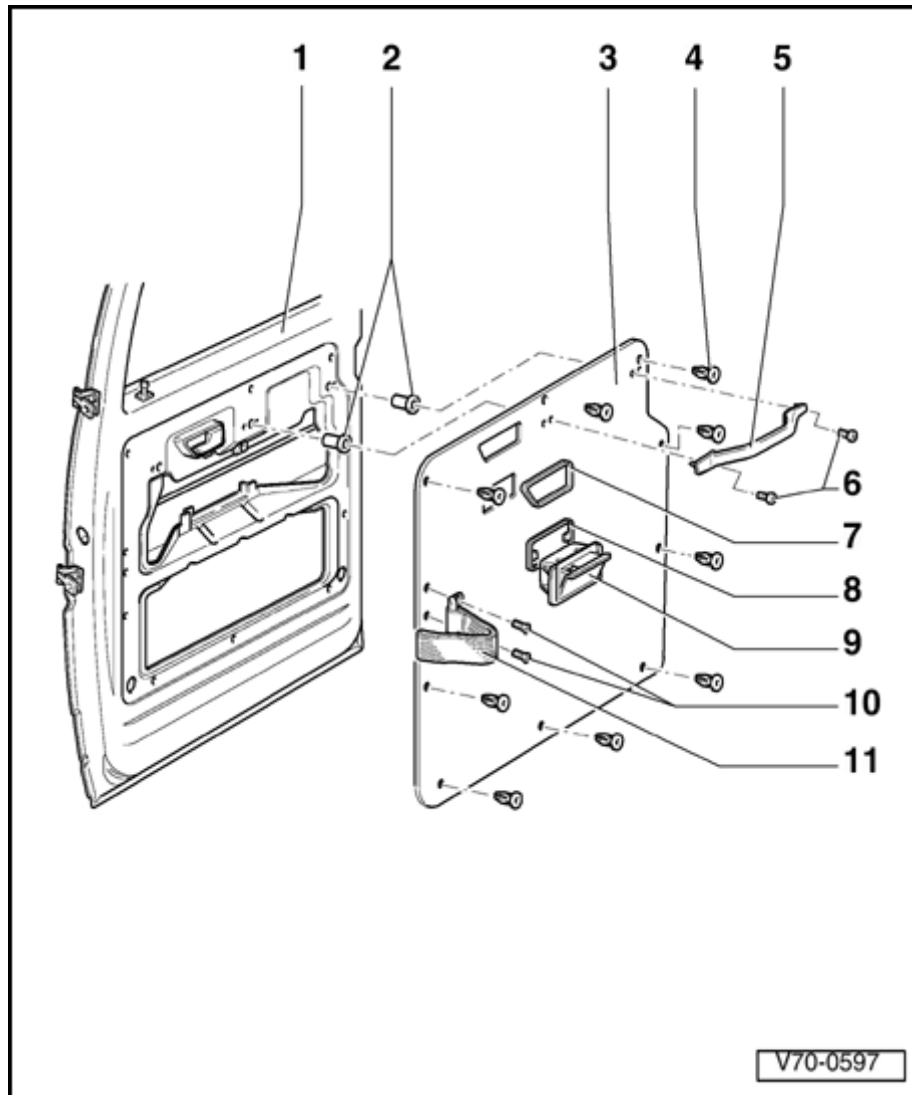
- ◆ Install with blind rivet tool e.g. VAG 1618 or equivalent

### 3 - Trim

- ◆ Removing: Remove door check strap -11-, handle -5-, unclip trim -7-, remove clips -4- and trim

### 4 - Clip

- ◆ Two-piece
- ◆ Removing: Remove inner part with Allen wrench
- ◆ Installing: Press outer and inner parts into hole in sequence



**5 - Handle**

**6 - Screw**

**7 - Trim**

**8 - Washer**

◆ Only for left double door

**9 - Ash tray**

◆ Only for left double door

**10 - Phillips screw**

◆ 3.5 Nm (31 in. lb)

**11 - Door check strap**