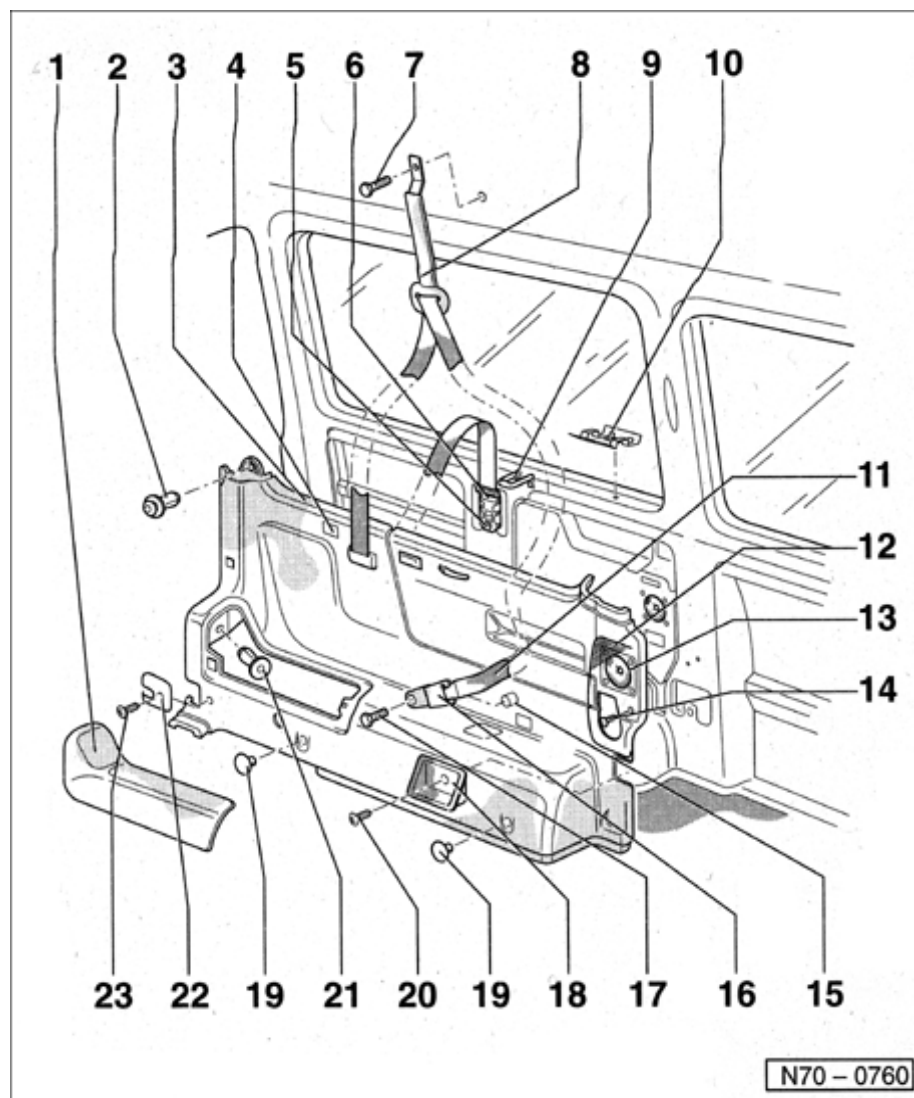


Rear side molded trim

Rear side molded trim (left side, short wheel base), components

Notes:

- ◆ *Removal description is given for one side, opposite side is mirror image.*
- ◆ *Depending on equipment installed, remove seats and/or seat benches ⇒ [Page 72-7](#) , for storage area ⇒ [Page 70-140](#)*
- ◆ *To remove rear side molded trim, remove rear headliner trim ⇒ [Page 70-79](#) , left upper B-pillar trim ⇒ [Page 70-56](#) , left C-pillar trim ⇒ [Page 70-65](#) , D-pillar trim ⇒ [Page 70-71](#) , loosen rear edge cover on both sides*

**1 - Cover****2 - Clip**

- ◆ Two-piece
- ◆ Removing: inner section requires an Allen wrench.
- ◆ Installing: Press outer and inner part into hole simultaneously.

3 - Rear side molded trim

- ◆ Removing and installing ⇒ [Page 70-90](#) .

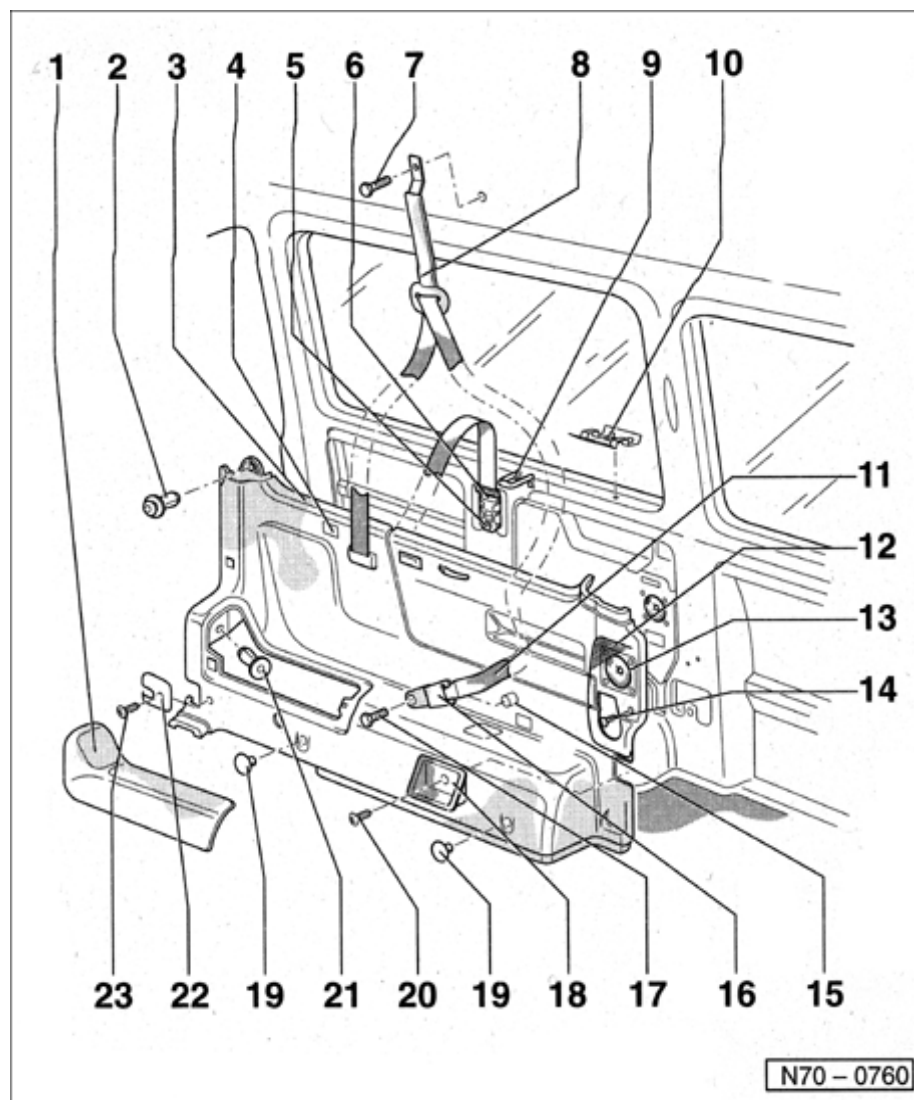
4 - Clip

- ◆ On back
- ◆ Several located along the window edge

5 - Hex bolt

- ◆ 40 Nm (30 ft lb)

6 - Automatic tensioning seat belt retractor

**7 - Hex bolt**

- ◆ 40 Nm (30 ft lb)

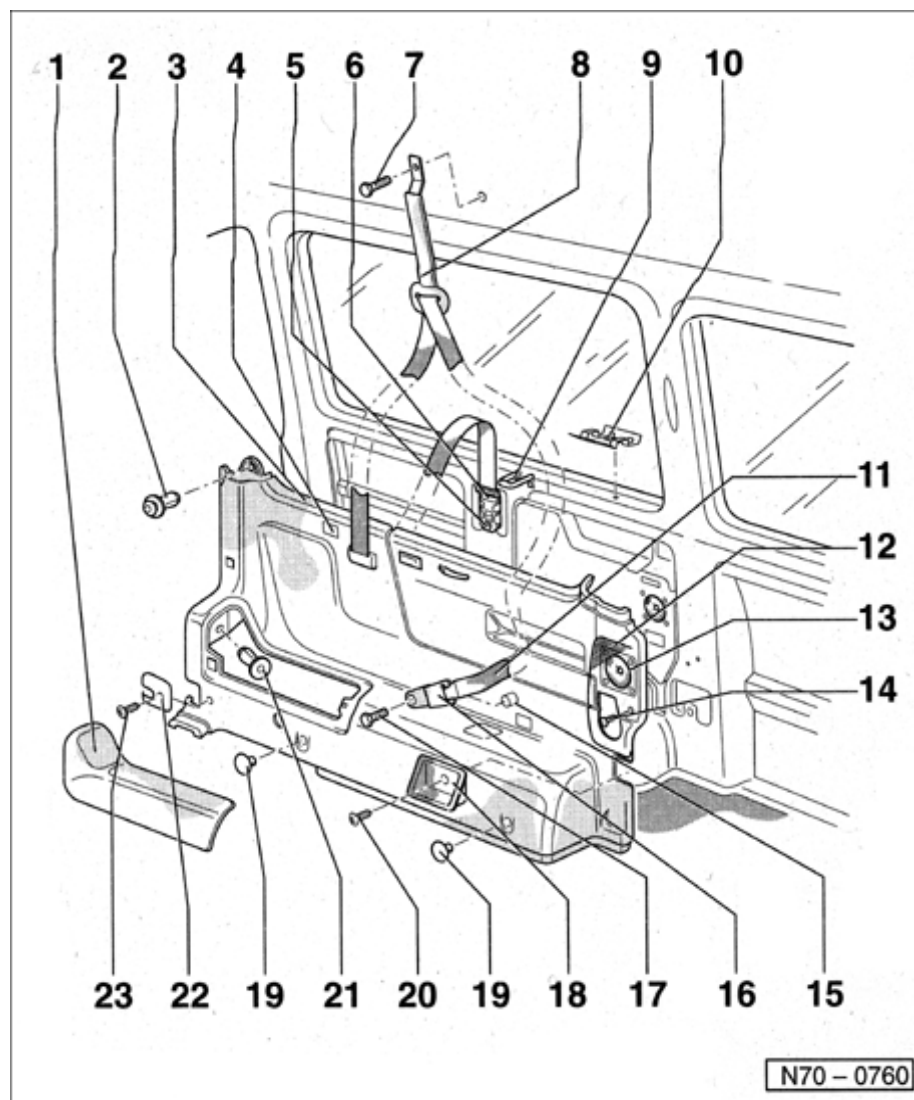
8 - D-ring for seat belt

- ◆ Can be taken off with two-piece trim

9 - Three-place bench seat belt anchor point**10 - Spring clip****11 - Seat belt****12 - Speaker cover****13 - Speaker with connector****14 - Phillips screw**

- ◆ With washer and cap

15 - Spacer



16 - Belt anchor

17 - Hex bolt

◆ 40 Nm (30 ft lb)

◆ With cap

18 - Belt guide with closure strips

19 - Trim plug

20 - Phillips screw

21 - Trim plug

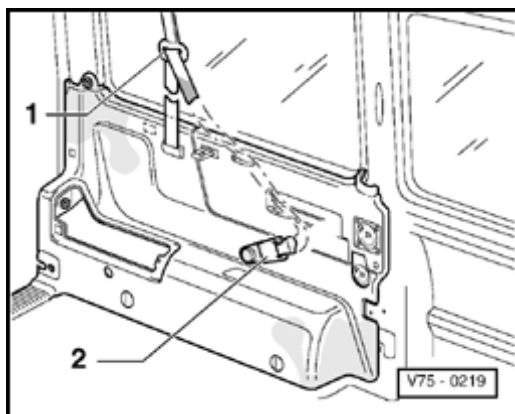
22 - Guide cover

23 - Phillips screw

Rear side molded trim (left side, short wheel base), removing/installing

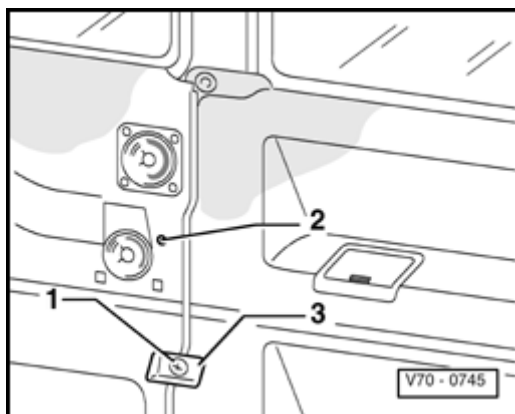
Note:

- ◆ Depending on equipment level remove seats and/or seat benches ⇒ [Page 72-7](#) , storage area ⇒ [Page 70-140](#) .
- ◆ Remove rear headliner trim ⇒ [Page 70-79](#) , left B-pillar upper trim ⇒ [Page 70-56](#) , left C-pillar trim ⇒ [Page 70-65](#) , D-pillar trim ⇒ [Page 70-71](#) .

**A**

- Loosen cover on left and/or right rear edge.
- Remove D-ring -1- belt anchor -2-, and/or only mounting bolt with spacer.

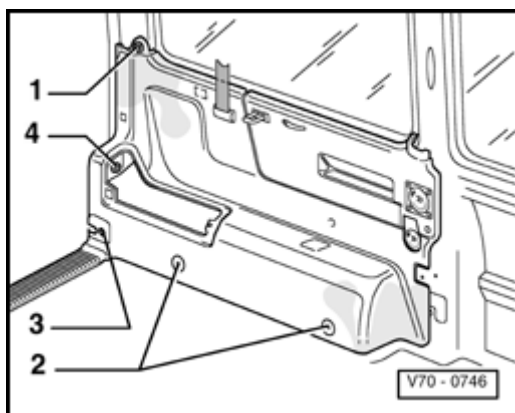
70-91



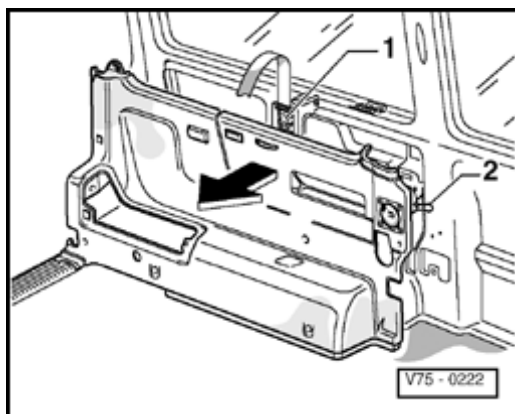
- A**
- Remove Phillips screw -1-, -2- (with cap) and carefully pry out belt guide with closure strips -3- and/or seat belt.

Note:

Depending on version, Phillips screw can be located under speaker cover; remove this screw first.



- A**
- Remove inner part of clip -1- with Allen wrench.
 - Carefully remove trim plug -2- with screwdriver.
 - Remove guide cover -3-.
 - Remove trim plug -4-.



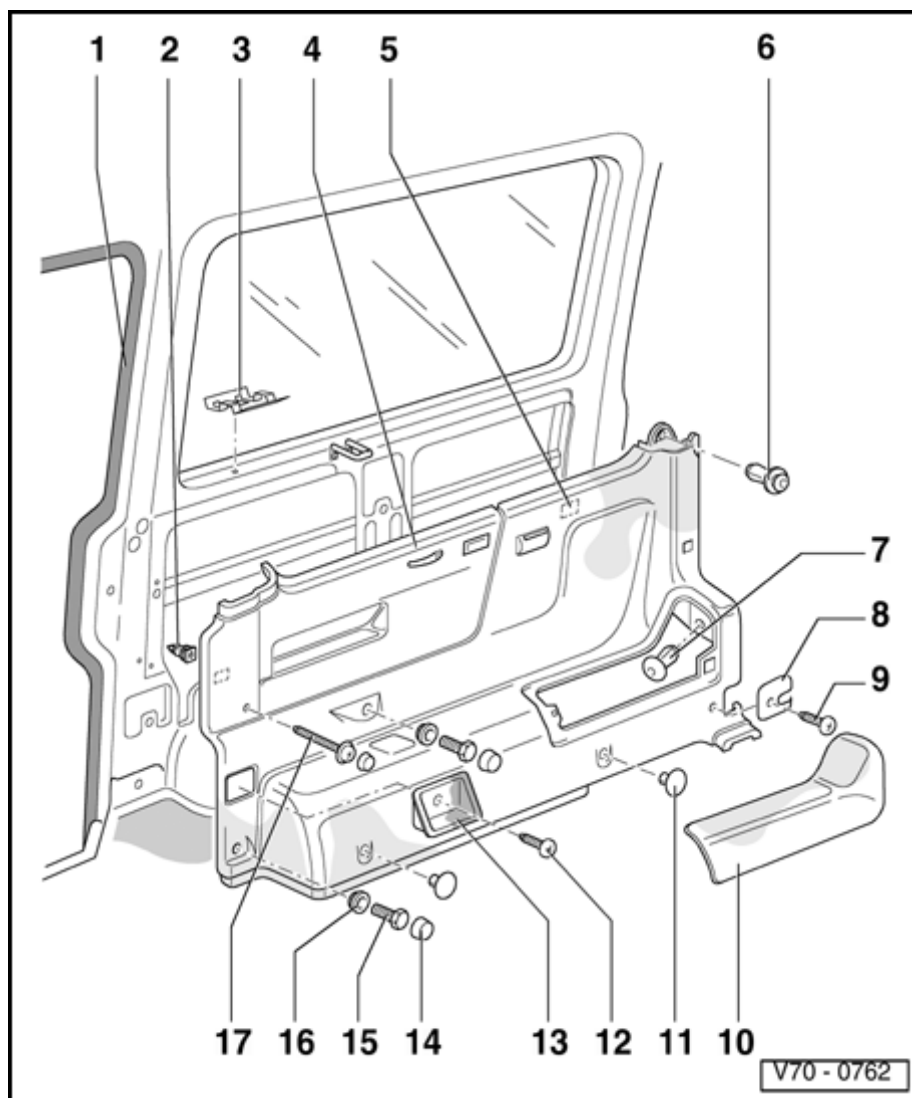
A

- Remove molded trim panel from window frame (arrow).
- Remove seat belt retractor -1- and, if necessary, disconnect speaker connector -2-.
- Install in reverse sequence.
- After installing rear side panel molded trim, ensure correct positioning of sliding door gasket.

Rear side molded trim (right side, short wheel base), components

Note:

- ◆ Depending on equipment level, remove seats and/or seat benches ⇒ [Page 72-7](#) , storage area ⇒ [Page 70-140](#) .
- ◆ To remove rear side panel molded trim, first remove rear headliner trim ⇒ [Page 70-79](#) , right upper B-pillar trim ⇒ [Page 70-58](#) , right C-pillar trim ⇒ [Page 70-67](#) , D-pillar trim ⇒ [Page 70-71](#) , loosen the rear edge cover, left and right

**1 - Gasket**

- ◆ Ensure correct positioning of rear side panel molded trim.

2 - Clip

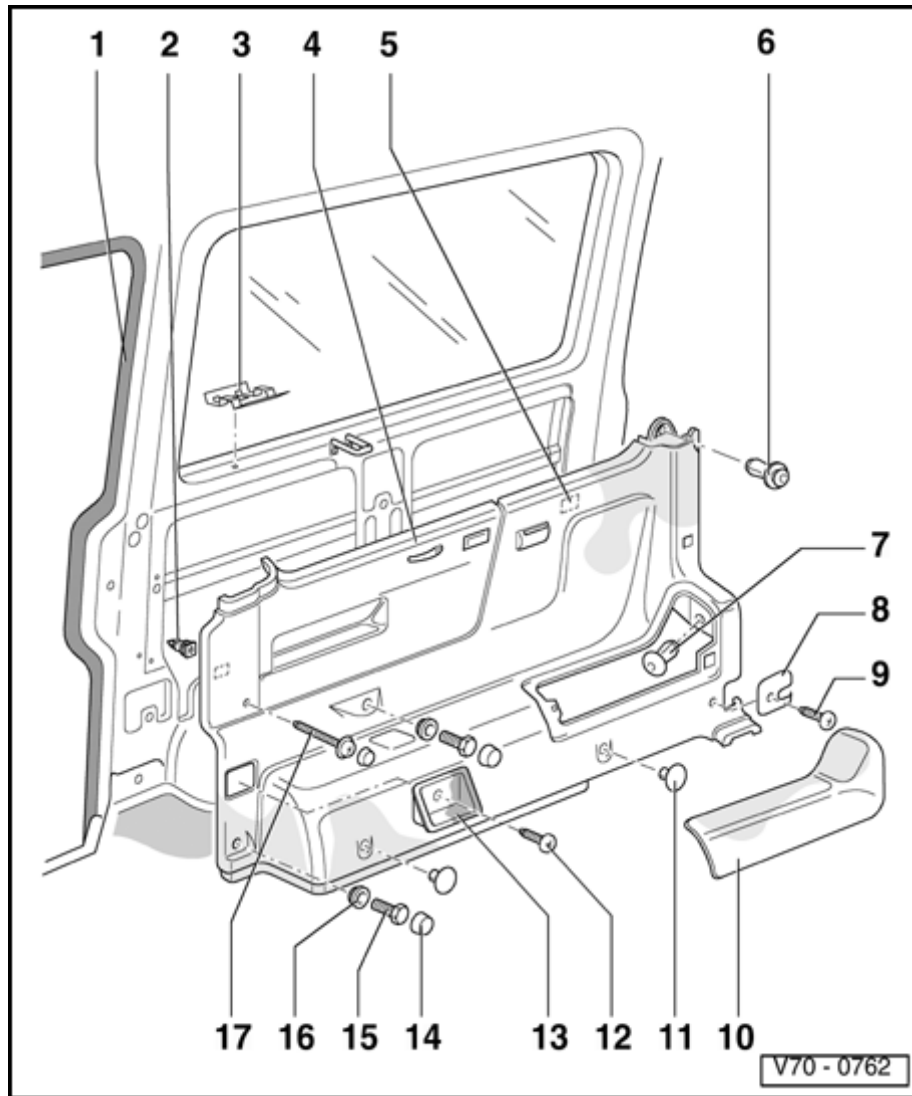
- ◆ Two-piece
- ◆ Insert sleeve in C-pillar hole, install pin in trim.

3 - Spring clamp**4 - Rear side panel molded trim**

- ◆ Removing ⇒ [Page 70-97](#)

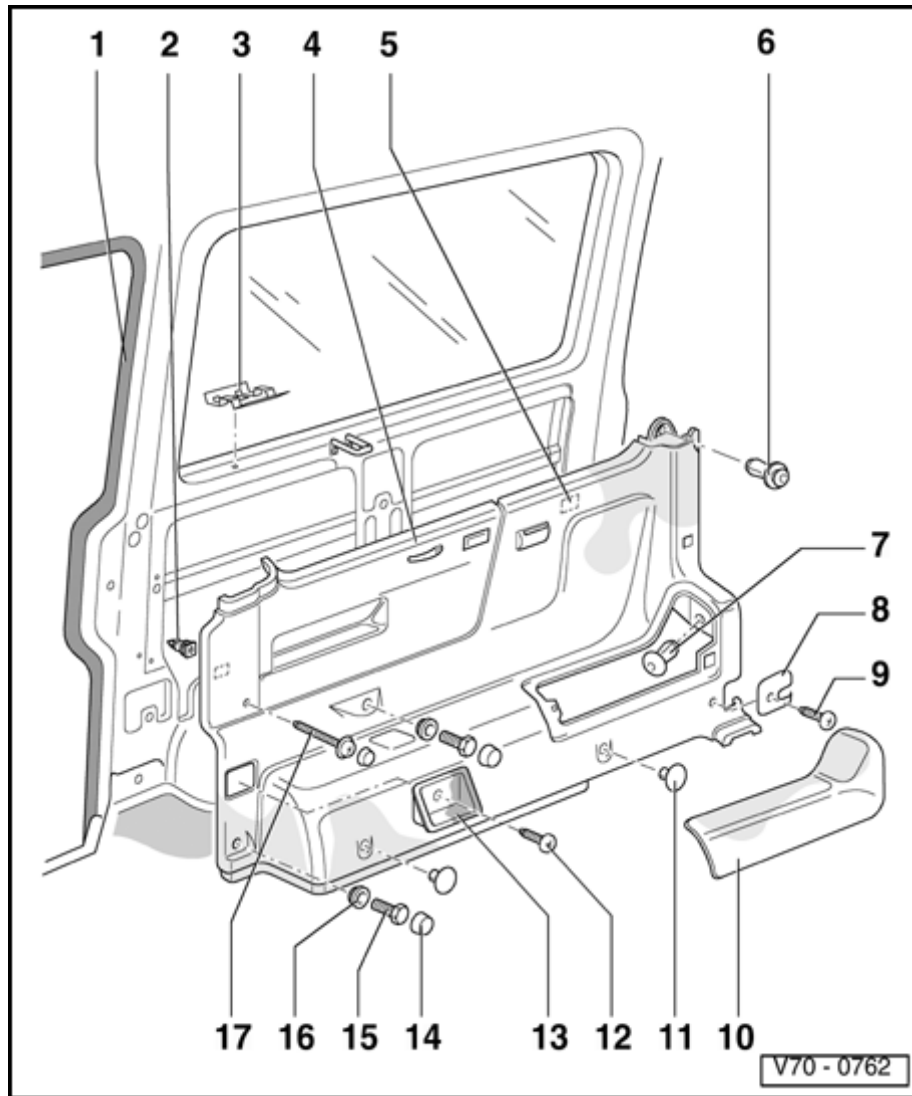
5 - Clip

- ◆ On back
- ◆ Several located along window edge.

**6 - Clip**

- ◆ Two-piece
- ◆ Removing: Remove inner part with Allen wrench
- ◆ Installing: Press outer part and inner part into hole simultaneously

7 - Trim plug**8 - Guide cover****9 - Phillips screw****10 - Cover****11 - Plug****12 - Phillips screw****13 - Belt guide with closure strip**



14 - Cap

15 - Hex bolt

◆ 40 Nm (30 ft lb)

16 - Spacer

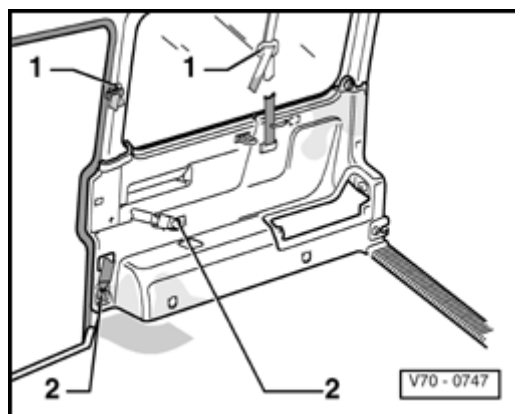
17 - Phillips screw

◆ With washer and cap

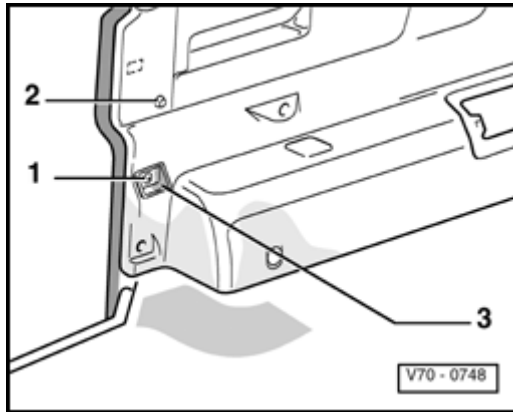
Rear side molded trim (right side, short wheel base), removing/installing

Note:

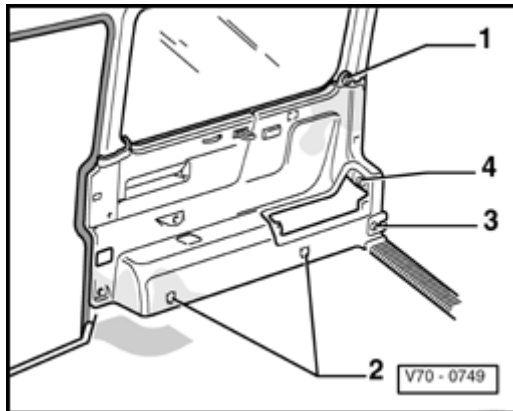
- ◆ Depending on equipment level, remove seats and/or seat benches ⇒ [Page 72-7](#) , storage area ⇒ [Page 70-140](#) .
- ◆ Remove rear headliner trim ⇒ [Page 70-79](#) , right B-pillar upper trim ⇒ [Page 70-60](#) , right C-pillar trim ⇒ [Page 70-69](#) , D-pillar trim ⇒ [Page 70-71](#) .

**A**

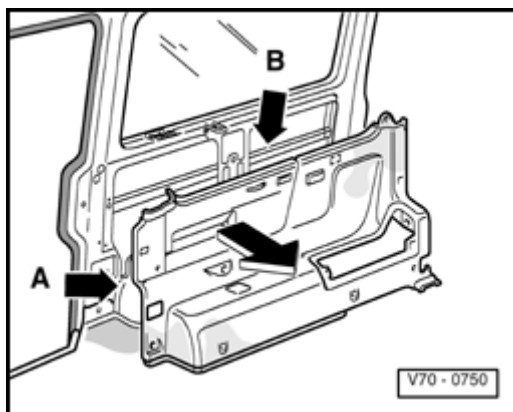
- Loosen rear edge cover on left and right.
- Remove D-ring -1- and belt anchor -2- or only mounting bolts with spacer rings.



- A**
- Remove Phillips screws -1-, -2- (with cap), and carefully pry out belt guide with closure strip and/or seat belt.
 - Remove inner part of clip -1- with Allen wrench.



- A**
- Remove trim plug -2- with screwdriver.
 - Remove cover guide -3-.
 - Remove trim plug -4-.



- A**
- Unclip right molded trim (arrow -A-) and along the window frame edge (arrow -B-).
 - Remove molded trim from window edge (arrow).
 - If applicable, remove automatic tensioning seat belts and disconnect speaker connection.

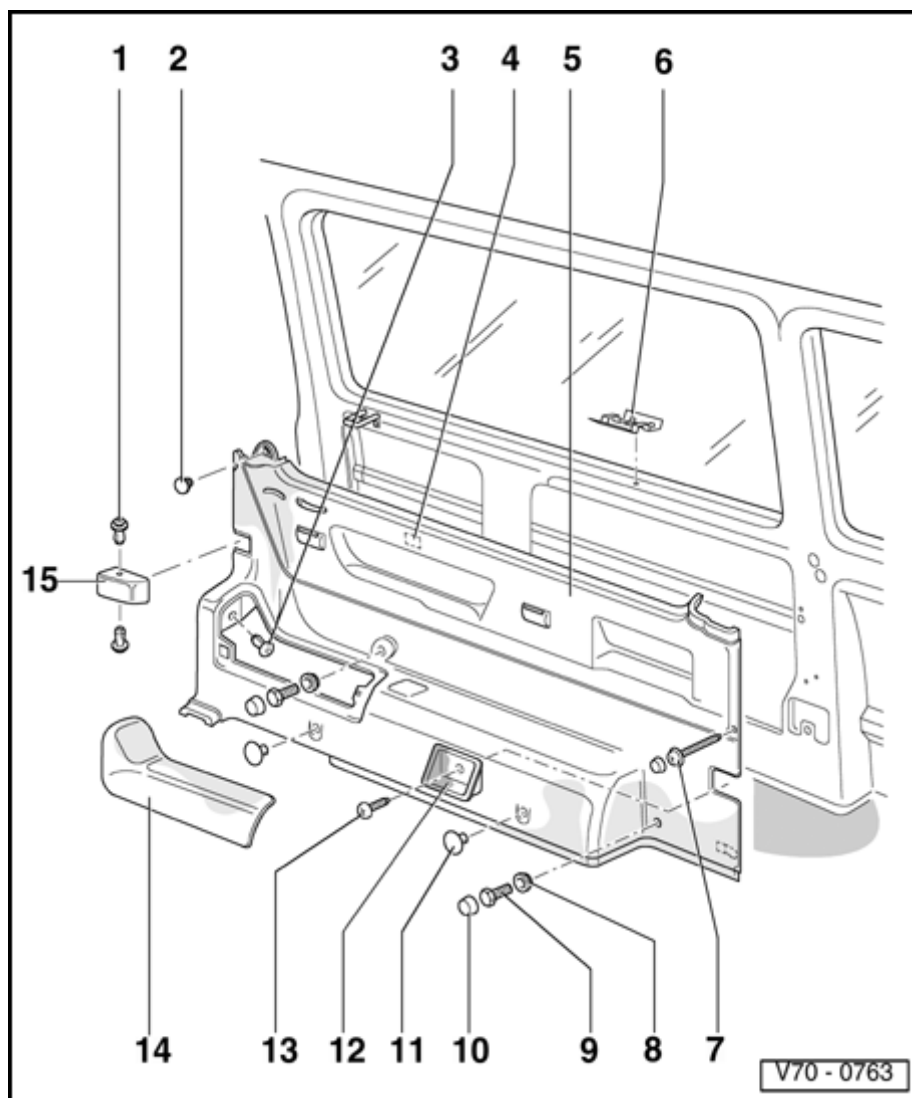
Installing

- Install in reverse sequence. After installing rear side panel molded trim, ensure correct rear lid gasket positioning .

Rear side molded trim (left side, long wheel base), components

Notes:

- ◆ *Removal description is given for only one side, other side is mirror image.*
- ◆ *Depending on equipment level, remove seats and/or seat benches ⇒ [Page 72-7](#) .*
- ◆ *To remove rear side panel trim, remove rear headliner trim ⇒ [Page 70-79](#) , left B-pillar upper trim ⇒ [Page 70-56](#) , left C-pillar trim ⇒ [Page 70-65](#) , D-pillar trim ⇒ [Page 70-71](#) , right and/or left rear edge cover.*

**1 - Clip**

- ◆ Two-piece
- ◆ Removing: Remove inner part with Allen wrench
- ◆ Installing: Press outer part and inner part into hole simultaneously

2 - Cap

- ◆ From 12.91
- ◆ Up to 11.91, clip, item 1

3 - Trim plug

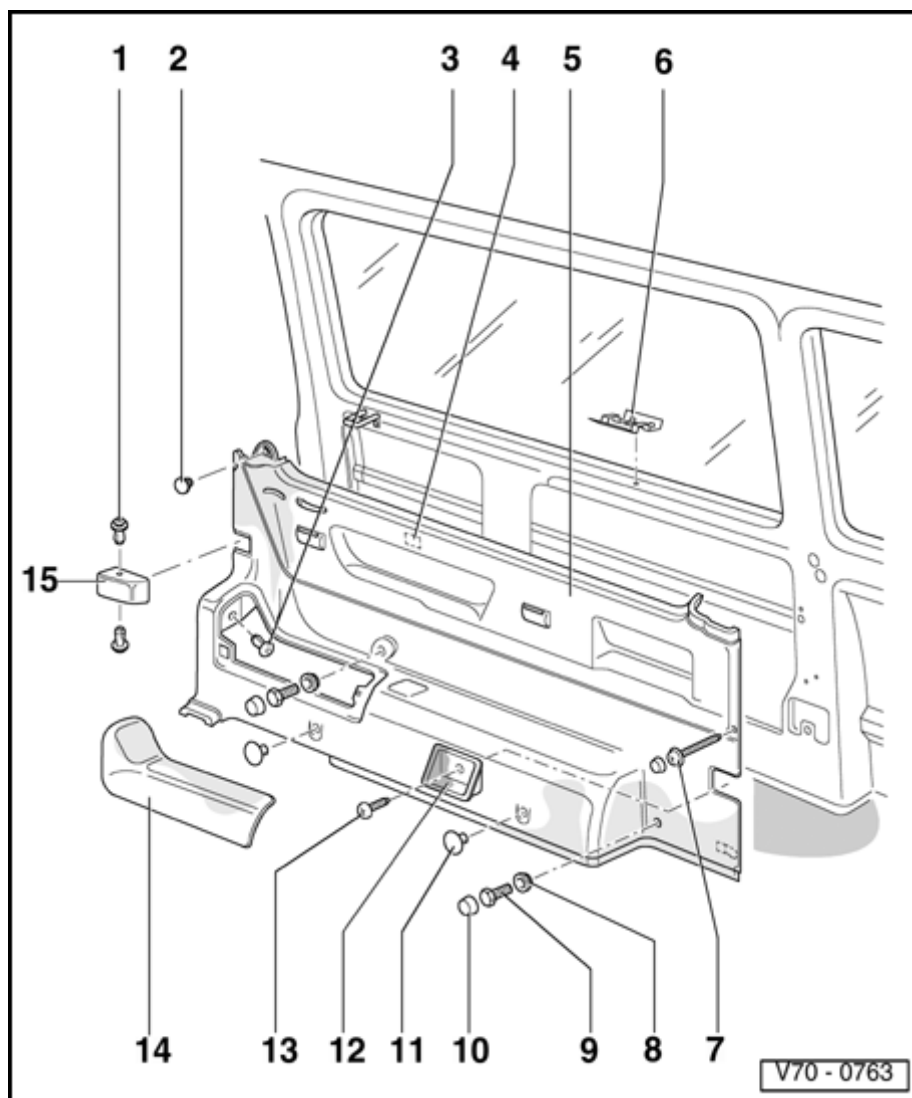
- ◆ From 12.91
- ◆ Up to 11.91, clip, item 1

4 - Clip

- ◆ On back
- ◆ Several located along window edge

5 - Rear side panel molded trim

- ◆ Removing and installing ⇒ [Page 70-103](#)



6 - Spring clip

7 - Phillips screw

◆ with cap

8 - Spacer

9 - Hex bolt

◆ 40 Nm (30 ft lb)

10 - Cover

11 - Trim plug

12 - Belt guide with closure strip

13 - Phillips screw

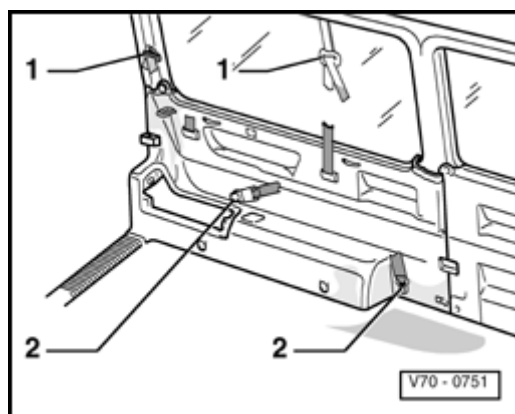
14 - Cover

15 - Door stop cover

Rear side molded trim (left side, long wheel base), removing/installing

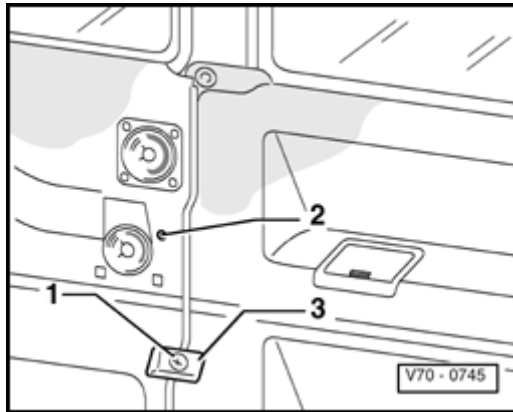
Note:

- ◆ Depending on equipment level, remove seats and/or seat benches ⇒ [Page 72-7](#) .
- ◆ Remove rear headliner trim ⇒ [Page 70-79](#) , left B-pillar upper trim ⇒ [Page 70-56](#) , left C-pillar trim ⇒ [Page 70-65](#) , D-pillar trim ⇒ [Page 70-71](#) .

**A**

- Loosen rear edge cover, left and right.
- Remove D-ring -1- and belt anchor -2- or only mounting bolts with spacer rings.

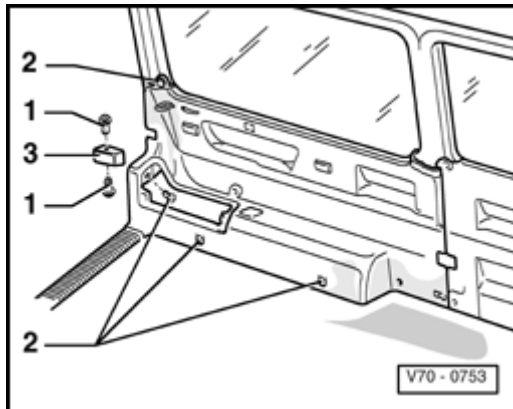
70-104



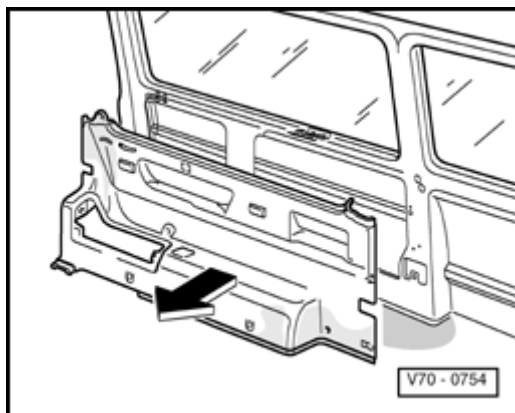
- A**
- Remove Phillips screws -1-, -2- (with cap), carefully pry out belt guide with closure strip -3- and/or seat belt.

Note:

Depending on version, Phillips screw -2- may be under speaker trim; remove Phillips screw first.



- A**
- Remove inner part of clips -1- with Allen wrench.
 - Turn or pry out plug -2- with screwdriver.
 - Remove door stop cover -3-.

**A**

- Remove molded trim from window frame -arrow-.
- If necessary, remove automatic tensioning seat belt retractor and disconnect speaker connector.

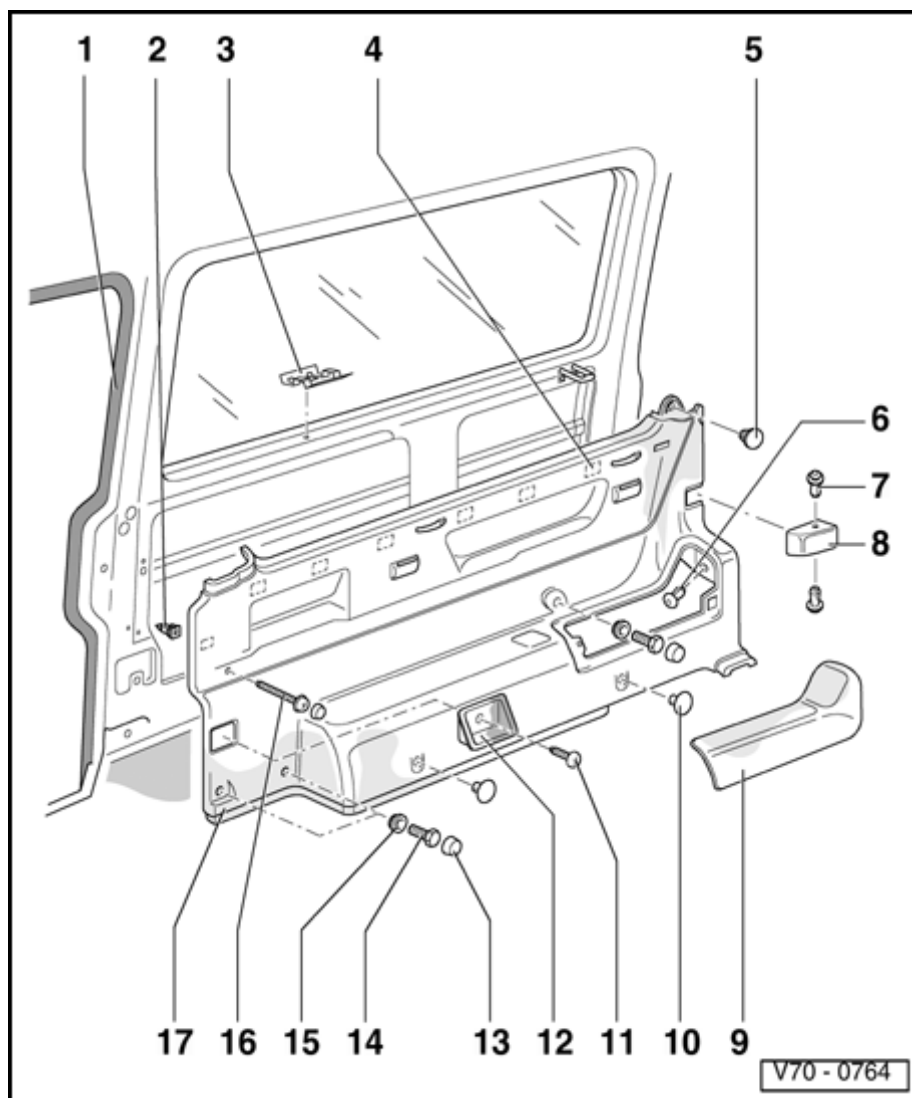
Installing

- Install in reverse sequence. After installing rear side panel molded trim, ensure correct positioning of sliding door gasket.

Rear side molded trim (right side, long wheel base), components

Notes:

- ◆ *Removal description is given for only one side, other side is a mirror image*
- ◆ *Depending on equipment level, remove seats and/or seat benches ⇒ [Page 72-7](#)*
- ◆ *To remove rear side panel molded trim, remove rear headliner trim ⇒ [Page 70-79](#) , right upper B-pillar trim ⇒ [Page 70-60](#) , right C-pillar trim ⇒ [Page 70-69](#) , D-pillar trim ⇒ [Page 70-71](#) , loosen rear edge cover on left and right.*

**1 - Gasket**

- ◆ After installing rear side panel molded trim, ensure correct positioning.

2 - Clip

- ◆ Two-piece
- ◆ Place sleeve in C-pillar hole and install pin.

3 - Spring clip**4 - Clip**

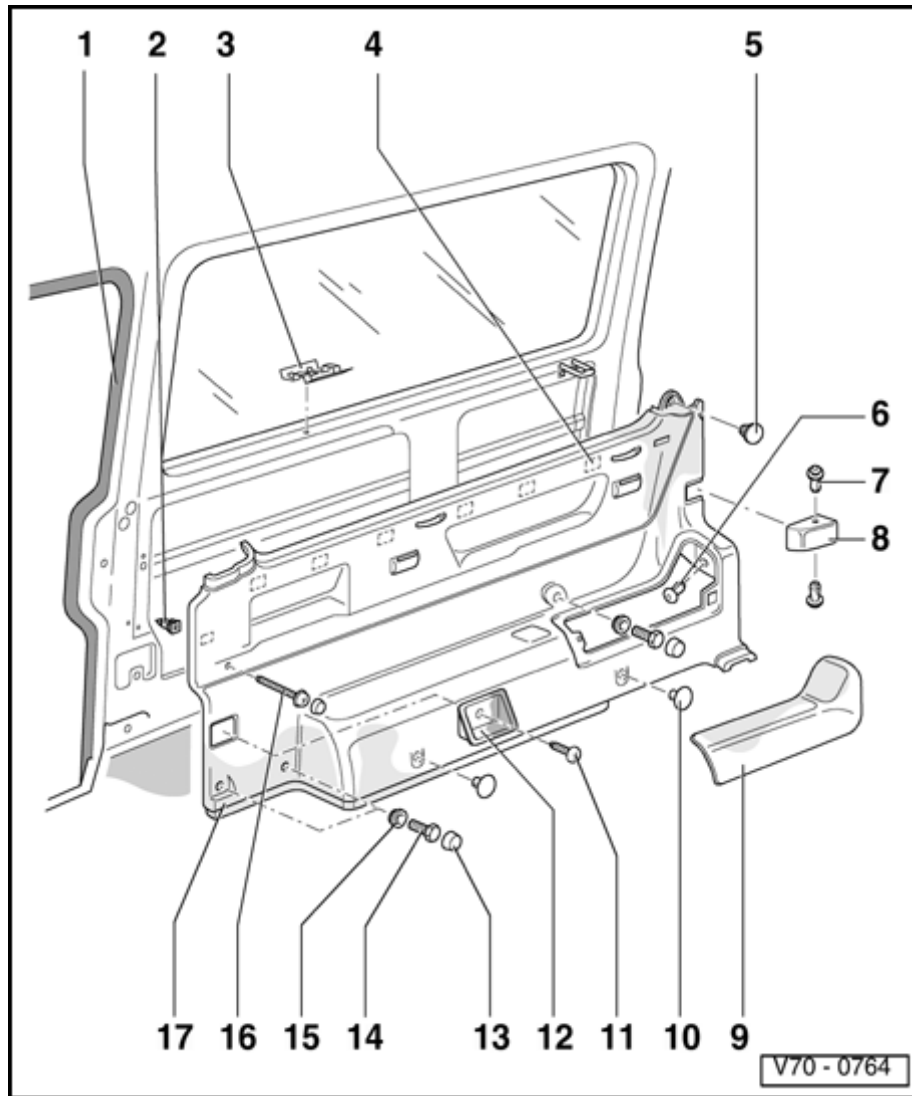
- ◆ On back
- ◆ Several located along window edge.

5 - Cap

- ◆ From 12.91
- ◆ Up to 11.91, clip, item 7

6 - Plug

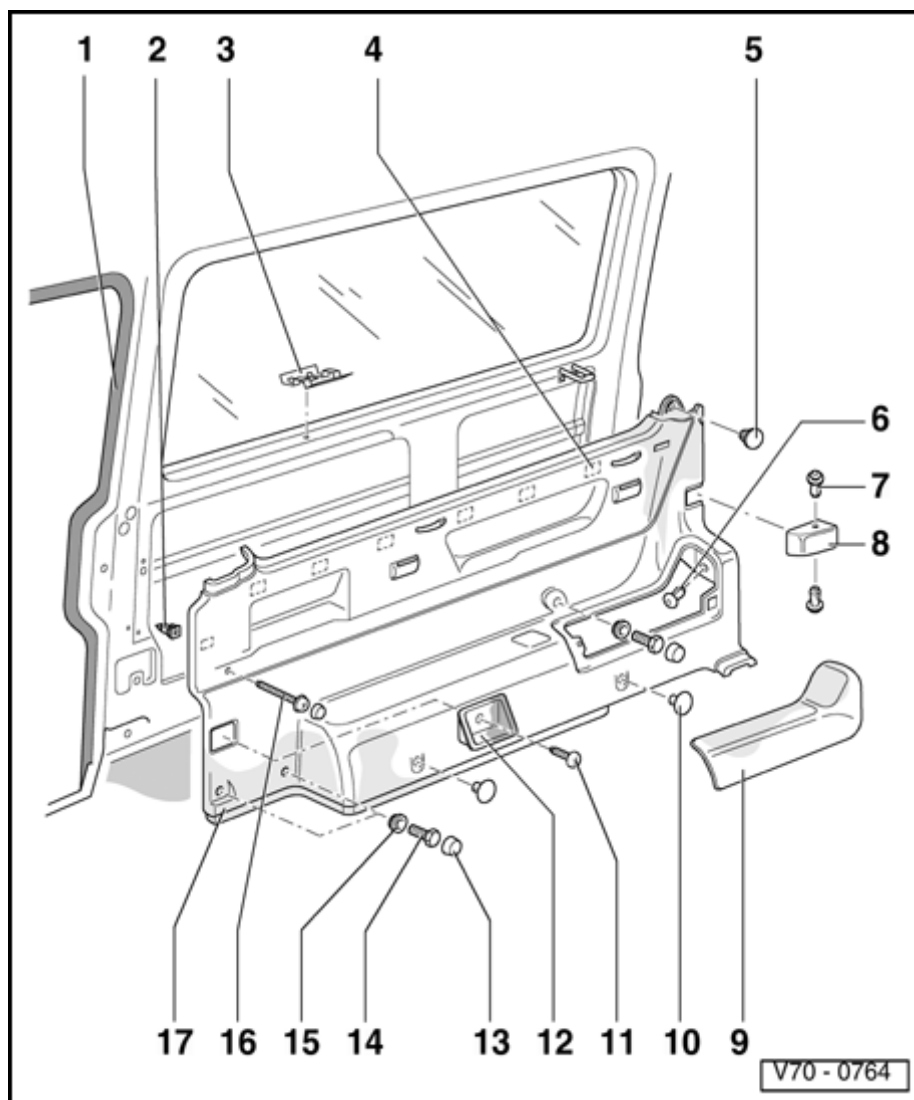
- ◆ From 12.91
- ◆ Up to 11.91, clip, item 7

**7 - Clip**

- ◆ Removing: Remove inner part with Allen wrench
- ◆ Installing: Press outer part and inner part into hole simultaneously

8 - Door stop cover**9 - Cover****10 - Trim plug****11 - Phillips screw****12 - Belt guide with closure strip****13 - Cover****14 - Hex bolt**

- ◆ 40 Nm (30 ft lb)



15 - Spacer

16 - Phillips screw

◆ with washer and cap

17 - Rear side molded trim

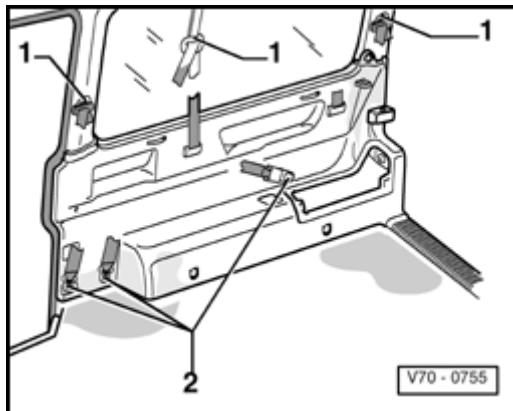
◆ Removing and installing ⇒ [Page 70-110](#)

Rear side molded trim (left side, long wheel base), removing/installing

Removing

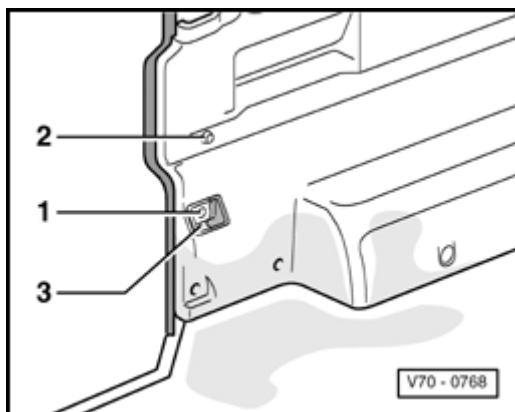
Notes:

- ◆ Depending on equipment level, remove seats and/or seat benches ⇒ [Page 72-7](#) .
- ◆ Remove rear headliner trim ⇒ [Page 70-79](#) , right upper B-pillar trim ⇒ [Page 70-60](#) , right C-pillar trim ⇒ [Page 70-69](#) , D-pillar trim ⇒ [Page 70-71](#) .

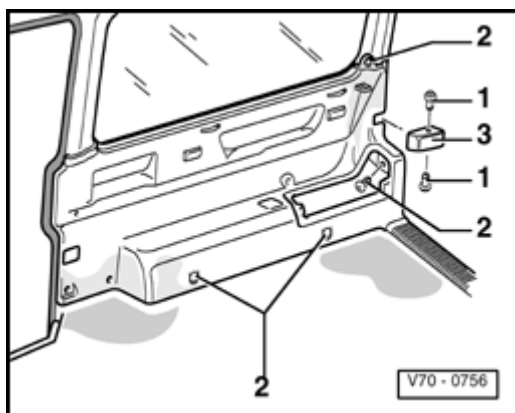
**A**

- Loosen rear end cover, left and right.
- Remove D-ring -1-, belt anchor -2- and/or mounting bolts with spacer.

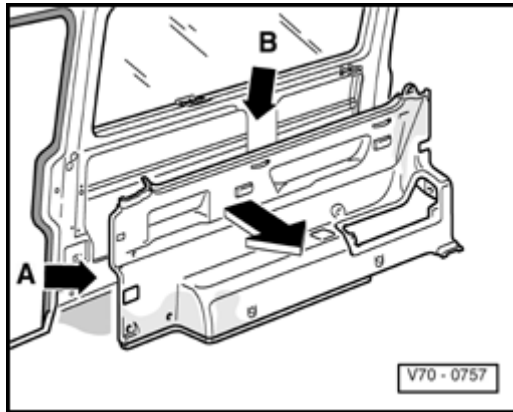
70-111



- A**
- Remove Phillips screws -1-, -2- (with cap), and carefully pry out belt guide with closure strip -3- and/or seat belt.



- A**
- Remove inner parts of clips -1- with Allen wrench.
 - Turn or pry plug -2- out with screwdriver.
 - Remove door stop cover -3-.

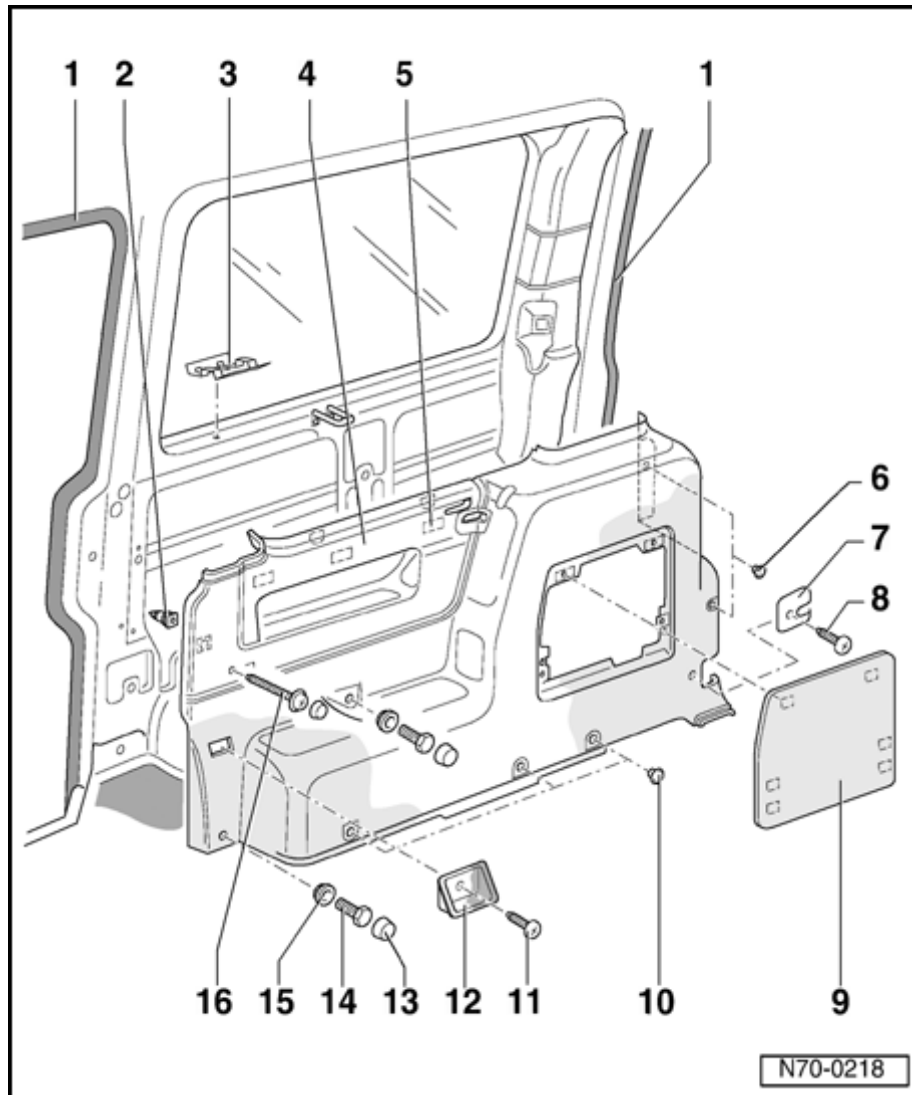
**A**

- Unclip right molded trim (arrow -A-) and along window (arrow -B-).
- Pull molded trim off window frame in direction of arrow.
- If necessary, remove automatic tensioning seat belts and disconnect speaker connector.

Installing

- Install in reverse sequence. After installing rear side panel molded trim, ensure correct positioning of rear door and sliding door gaskets.

70-113



Molded trim, rear side wall, sliding door side (vehicles with passenger compartment ventilation / air conditioning system), assembly overview

1 - Gasket

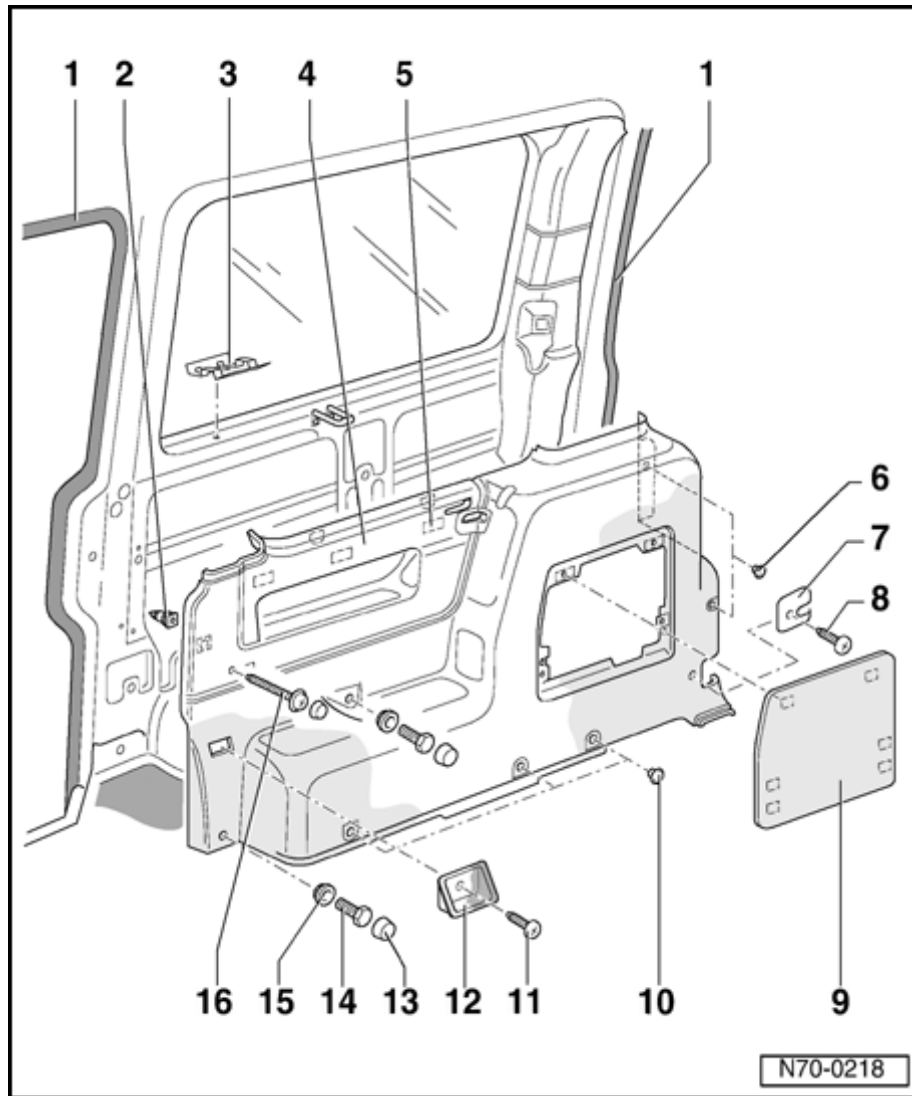
- ◆ After installing trim ensure gasket is seated properly.

2 - Clip

- ◆ Two parts
- ◆ During installation, install sleeve in C-pillar attachment hole and pin in trim.

3 - Clamp

- ◆ Several located along window edge.



4 - Rear side wall molded trim

- ◆ Removing and installing ⇒ [Page 70-116](#)

5 - Clip

- ◆ On reverse side
- ◆ Several along edge of window

6 - Plug

7 - Cover for guide wedges

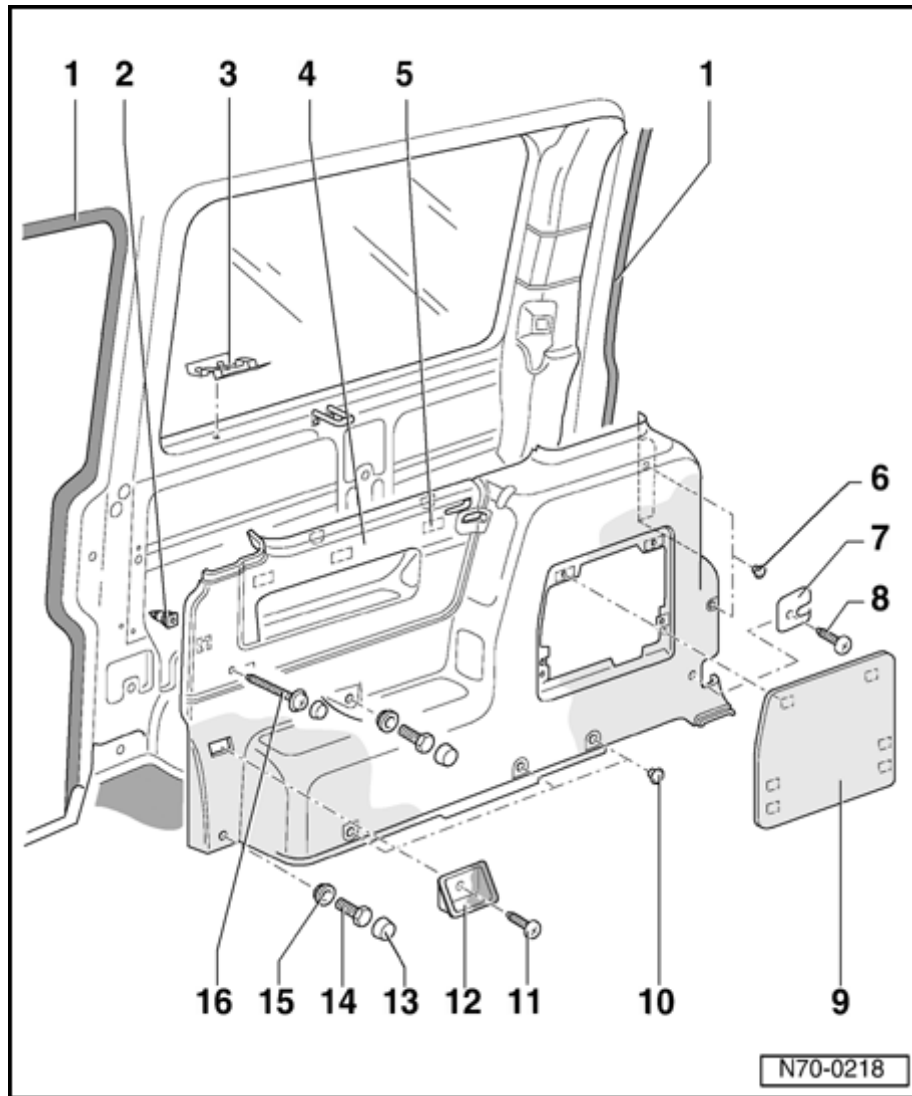
8 - Phillips screw

9 - Cover

10 - Plug

11 - Phillips screw

70-115



12 - Belt guide with closing strips

13 - Cap

14 - Hex bolt

◆ 40 Nm

15 - Spacer bushing

16 - Phillips screw

◆ With washer and cap

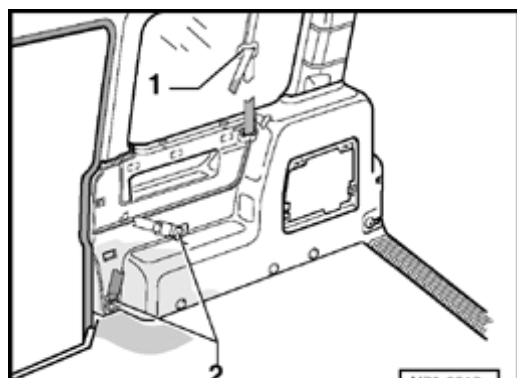
Molded trim, rear side wall, sliding door side (vehicles with passenger compartment ventilation / air conditioning system), removing and installing

Removing

Notes:

- ◆ Depending on equipment level, remove seats and/or seat benches ⇒ [Page 72-7](#) .
- ◆ Remove rear headliner trim ⇒ [Page 70-79](#) , B-pillar upper trim on sliding door side ⇒ [Page 70-60](#) , C-pillar trim on sliding door side ⇒ [Page 70-69](#) , D-pillar trim ⇒ [Page 70-71](#) .

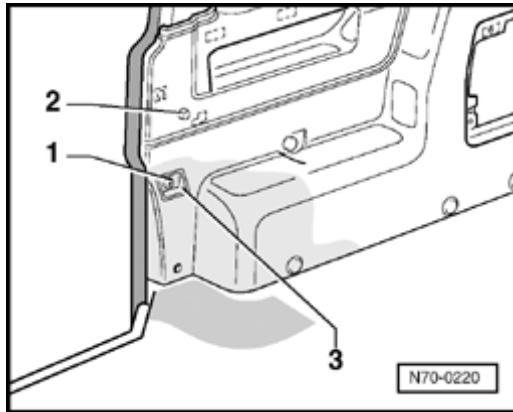
- Loosen loading edge cover on right.



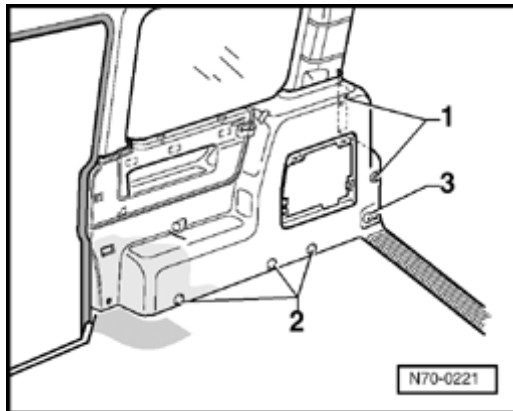
A

- Remove D-ring -1- and belt brackets -2- and/or in vehicles without safety belt, only remove mounting screws with spacer rings.

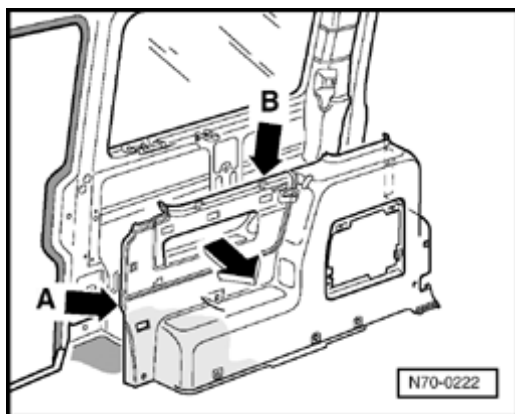
70-117



- A**
- Remove screws -1- and -2- (with cap) and belt guide -3- with cover strips and/or safety belt.



- A**
- Turn out or pry out plugs -1- and -2- with a screwdriver.
 - Remove cover for guide wedges -3-.



- A**
- Unclip molded trim on sliding door side (arrow -A-) and along window trim (arrow -B-).
 - Pull molded trim off side wall (arrow).
 - If present, remove automatic seat belt retractors and disconnect speaker wiring connector.

Installing

Install in reverse order of removal and note the following:

- After rear side wall molded trim is installed, make sure gaskets for rear lid and sliding door are seated properly.