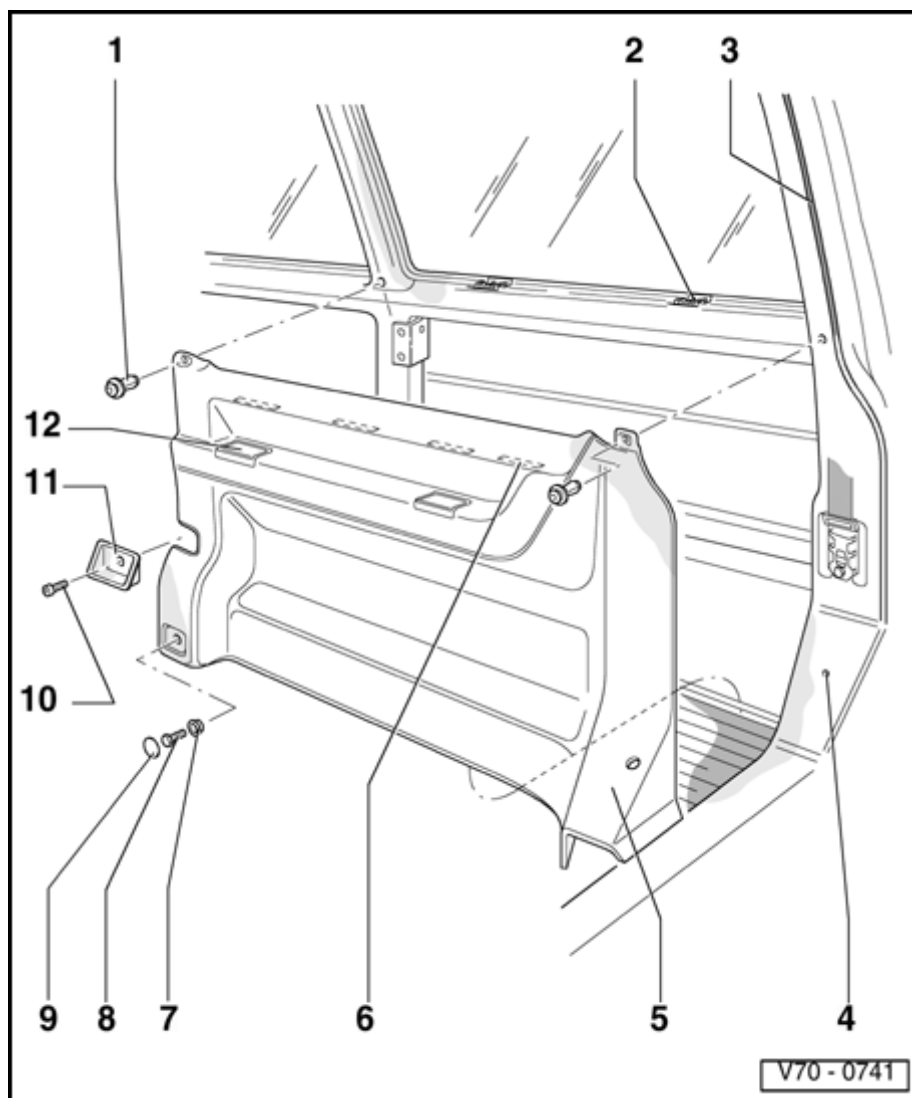


Front side panel molded trim

Front side panel molded trim, components

Notes:

- ◆ *Removal description is given for only one side, directions for the other side are mirror image.*
- ◆ *To remove front side panel molded trim, remove left upper B-pillar trim ⇒ [Page 70-56](#) , left C-pillar trim ⇒ [Page 70-65](#) .*
- ◆ *Left rear side panel molded trim (short wheel base) ⇒ [Page 70-90](#) , and/or right rear side panel molded trim (long wheel base) ⇒ [Page 70-106](#) , loosen only where it overlaps front side panel molded trim.*
- ◆ *Two-place bench and/or individual seat must be removed ⇒ [Page 72-7](#)*

**1 - Clip**

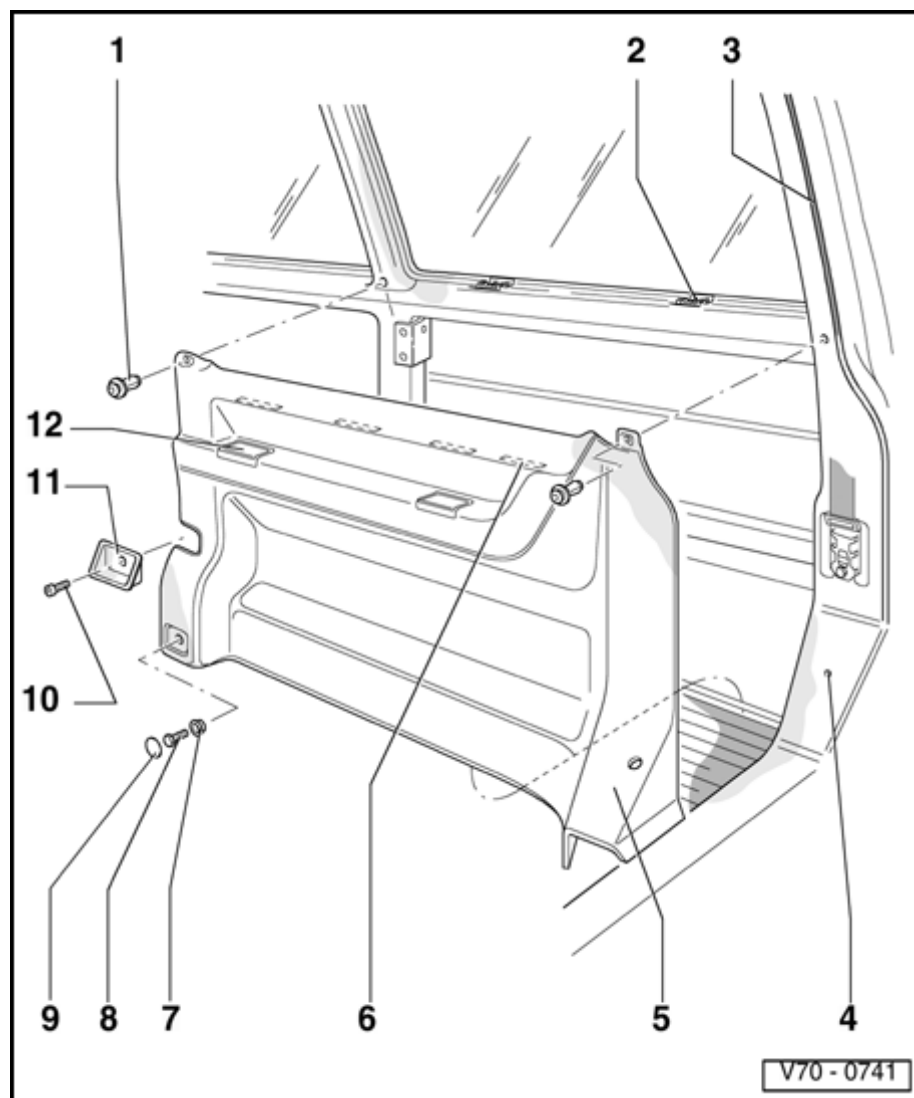
- ◆ Two-piece
- ◆ Removing: Remove inner part with Allen wrench
- ◆ Installing: Press outer and inner part into hole in sequence

2 - Clip**3 - Gasket**

- ◆ After installing front side panel molded trim, ensure correct gasket positioning.

4 - Seat belt anchor point**5 - Front side panel molded trim**

- ◆ Removing ⇒ [Page 70-83](#)
- ◆ Installing ⇒ [Page 70-85](#)

**6 - Clip**

- ◆ On back
- ◆ Several along window edge

7 - Spacer bushing**8 - Hex bolt**

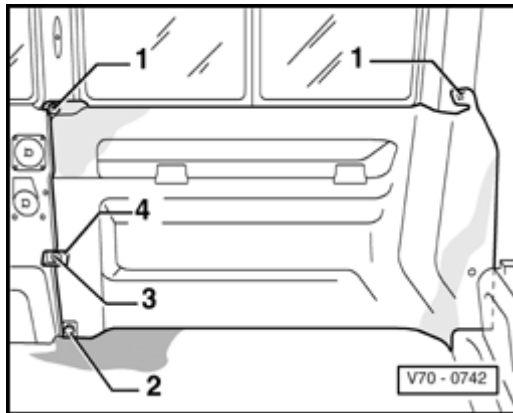
- ◆ 40 Nm (30 ft lb)

9 - Cap**10 - Phillips screw****11 - Belt guide with closure strips****12 - Ash tray**

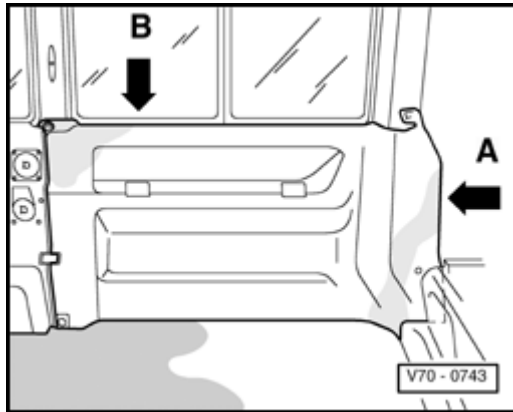
- ◆ Removing: Pull upward and out of molded trim
- ◆ Installing: Press into molded trim until spring engages audibly

Front side panel molded trim, removing

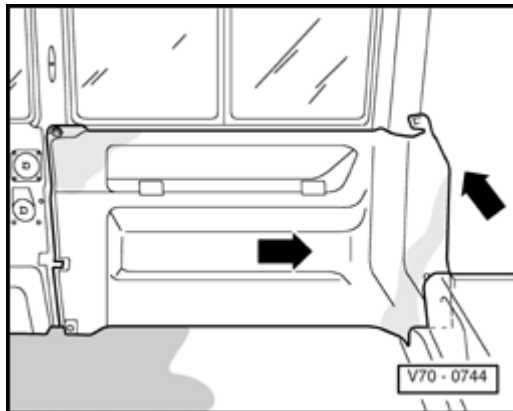
- Remove left upper B-pillar trim ⇒ [Page 70-56](#) ,
left C-pillar trim ⇒ [Page 70-65](#) .
- Remove two-place bench and/or individual seat
⇒ [Page 72-7](#) .

**A**

- Remove inner part of clips with Allen wrench.
- Remove hex bolt under cap -2- with spacer bushing and, if necessary, belt fitting.
- Remove Phillips screw -3- and carefully pry out belt guide with closure strips -4- and/or seat belt.
- Loosen left rear side molded trim (short wheel base) ⇒ [Page 70-86](#) or left rear side molded trim (long wheel base) ⇒ [Page 70-103](#) at overlap of front side wall molded trim.

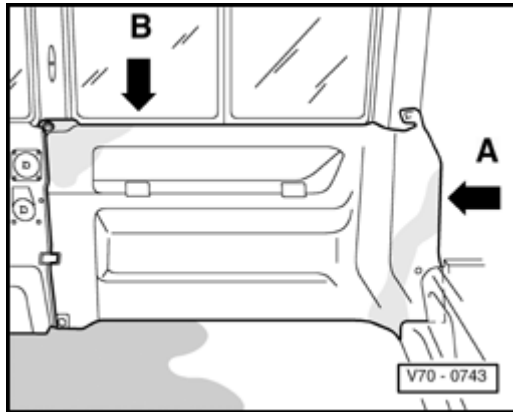


- A**
- Unclip front side panel molded trim in following sequence:
 - ◆ B-pillar -arrow A-
 - ◆ Window frame -arrow B-



- A**
- Remove front side wall molded trim at area of B-pillar and push forward as far as possible.

Front side panel molded trim, installing

**A**

- Install in reverse sequence. After clipping in the front side panel molded trim, ensure correct positioning of gasket (arrow -A).