

Fender, front

Assembly overview from 01.96

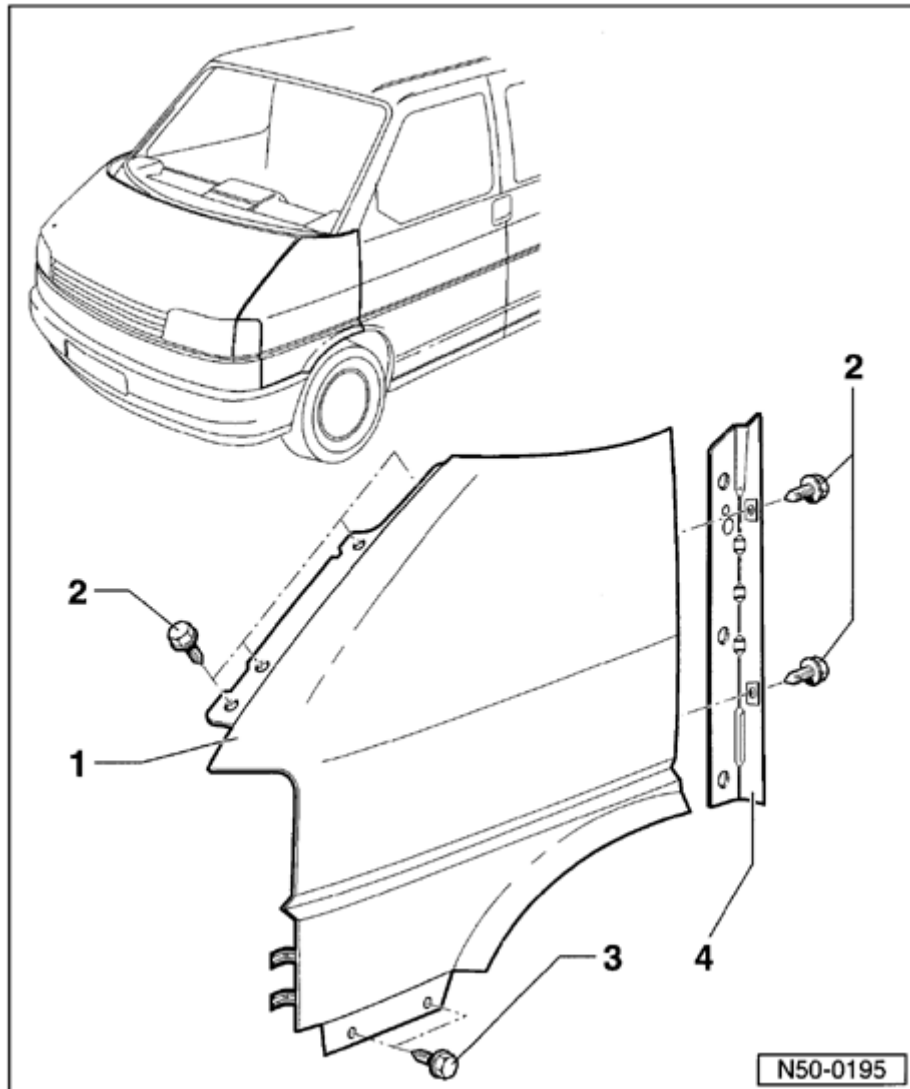
1 - Fender

◆ Removing

- Remove front bumper ⇒ [Page 63-1](#) .
- Remove turn signal.
- Remove hex bolts - 2 - and - 3 - .
- Heat fender in area of wheel arch with a hot air blower and pull off (if necessary cut through PVC material with utility knife; second technician necessary).

Note:

- ◆ PVC must only be heated lightly and briefly.
- ◆ PVC must not change in color or blister.



2 - Hex-screw

- ◆ With small washer

3 - Hex-screw

- ◆ With large washer

4 - Rib plate

- ◆ Installed to enable the gaps between fender, front lid and front door to be adjusted via the oversized holes.

Installing

Before bolting on fender, each point of bolting in area of wheel housing -A- pillar must be given a zinc packing AKL 381 035 50.