

Front door

Assembly overview

Note:

The assembly overview illustrates a front door with electric windows. The procedure is similar for doors without electric windows.

1 - Front door

- ◆ Removing ⇒ [Page 57-6](#)
- ◆ Removing and installing ⇒ [Page 57-7](#)

2 - Inner window slot seal

- ◆ Pressed into flange
- ◆ Remove together with door trim (manual windows)
- ◆ Remove together with door trim (with power windows).

⇒ [Repair Manual, Body Interior, Repair Group 70](#)

3 - Outer window slot seal

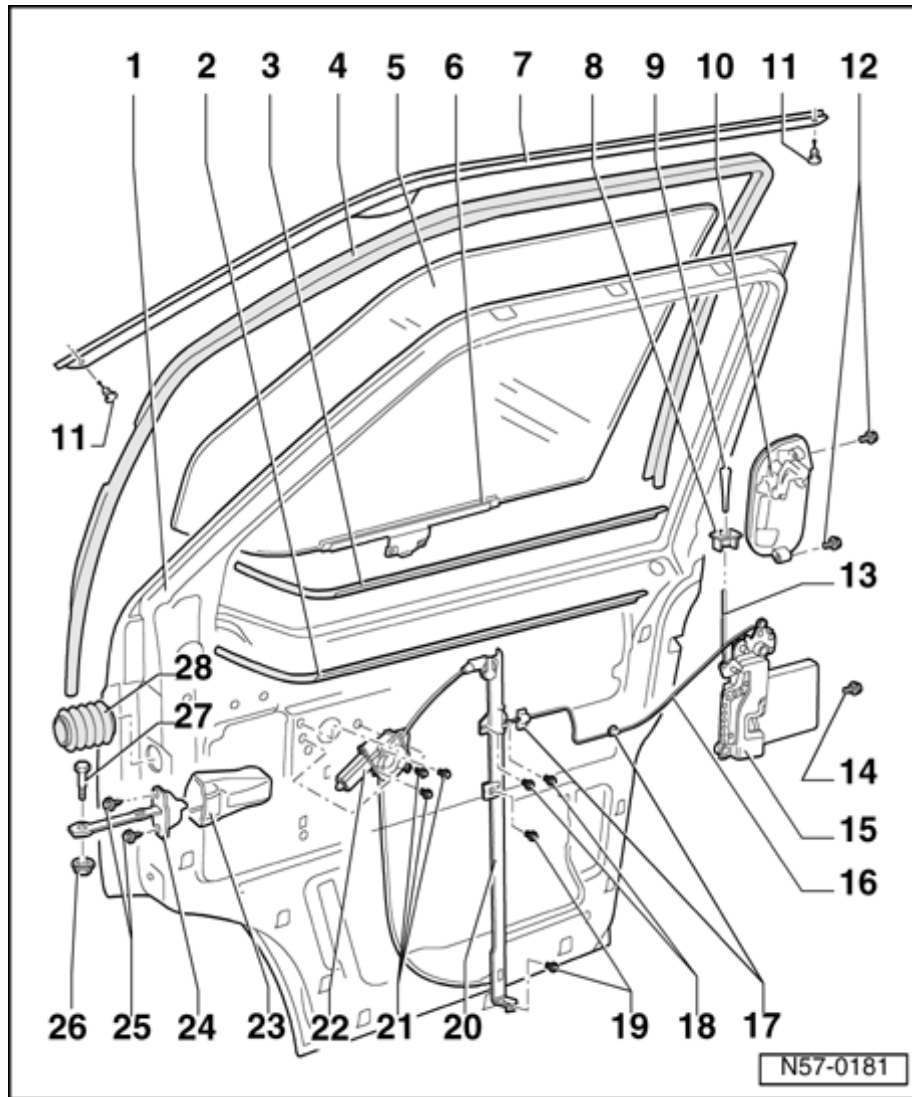
- ◆ Pressed into flange

4 - Window channel

5 - Door window

- ◆ Removing ⇒ [Page 57-24](#)

◆ Installing ⇒ [Page 57-25](#)



6 - Sealing profile

- ◆ Clipped and glued

7 - Trim plate

8 - Lock knob

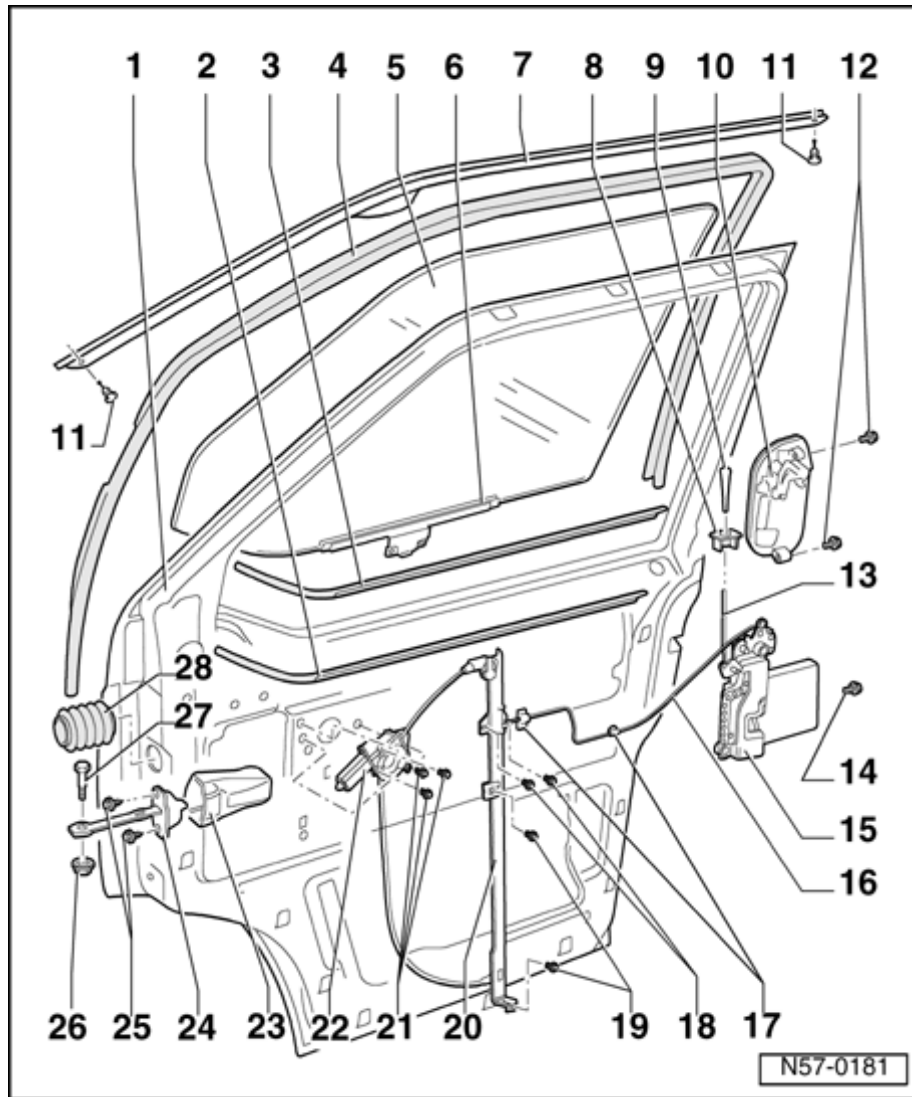
- ◆ Screwed on

9 - Outside door handle

- ◆ Removing ⇒ [Page 57-25](#)

- ◆ Lock cylinder, removing ⇒ [Page 57-28](#)

10 - Clip



11 - Clip

12 - Screw

◆ 8 Nm

13 - Lock rod

14 - Screw

◆ 8.0 Nm (71 in. lb)

15 - Door lock

◆ Removing ⇒ [Page 57-27](#)

16 - Pull rod

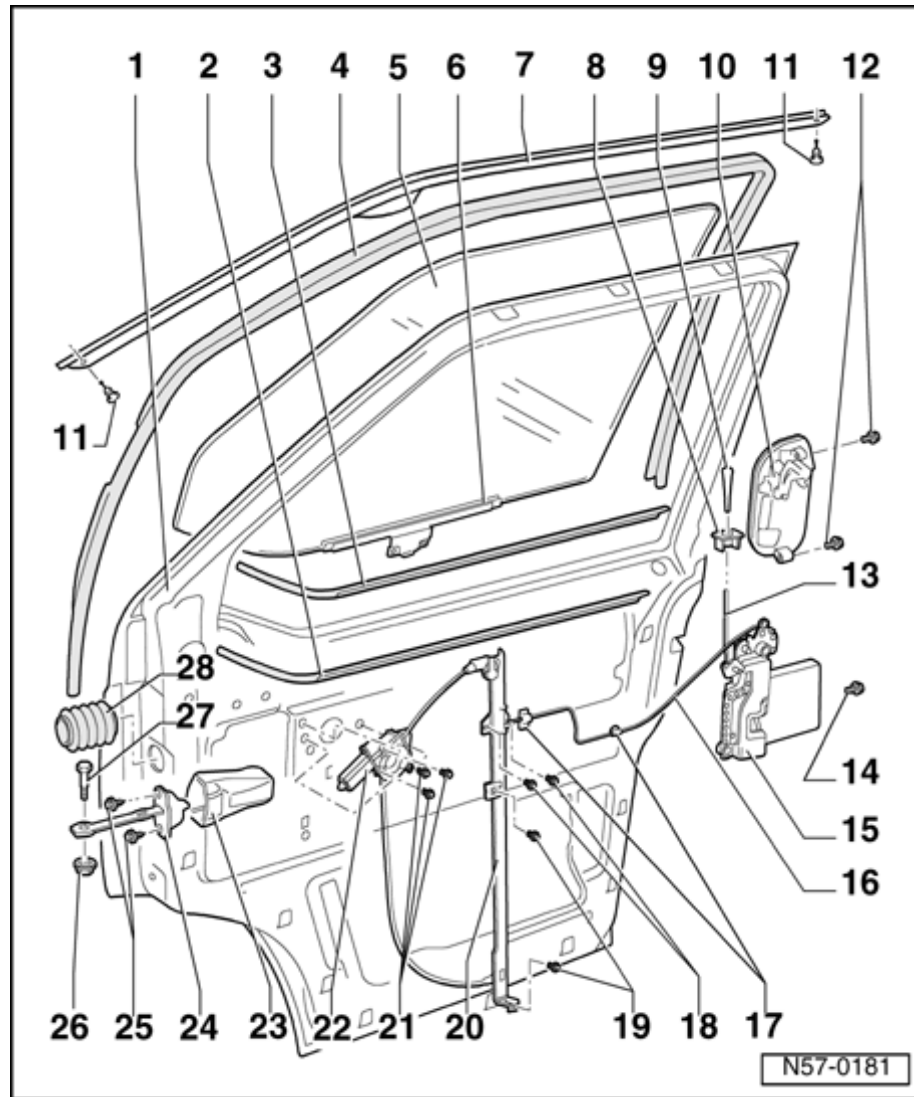
17 - Clip

◆ To fasten guide and pull rod

18 - Screw

◆ 7.0 Nm (62 in. lb)

◆ Secures regulator rail to window regulator

**19 - Screw**

- ◆ 7 Nm

20 - Window regulator

- ◆ Removing and installing ⇒ [Page 57-15](#)

21 - Screw

- ◆ 7 Nm

22 - Window regulator motor

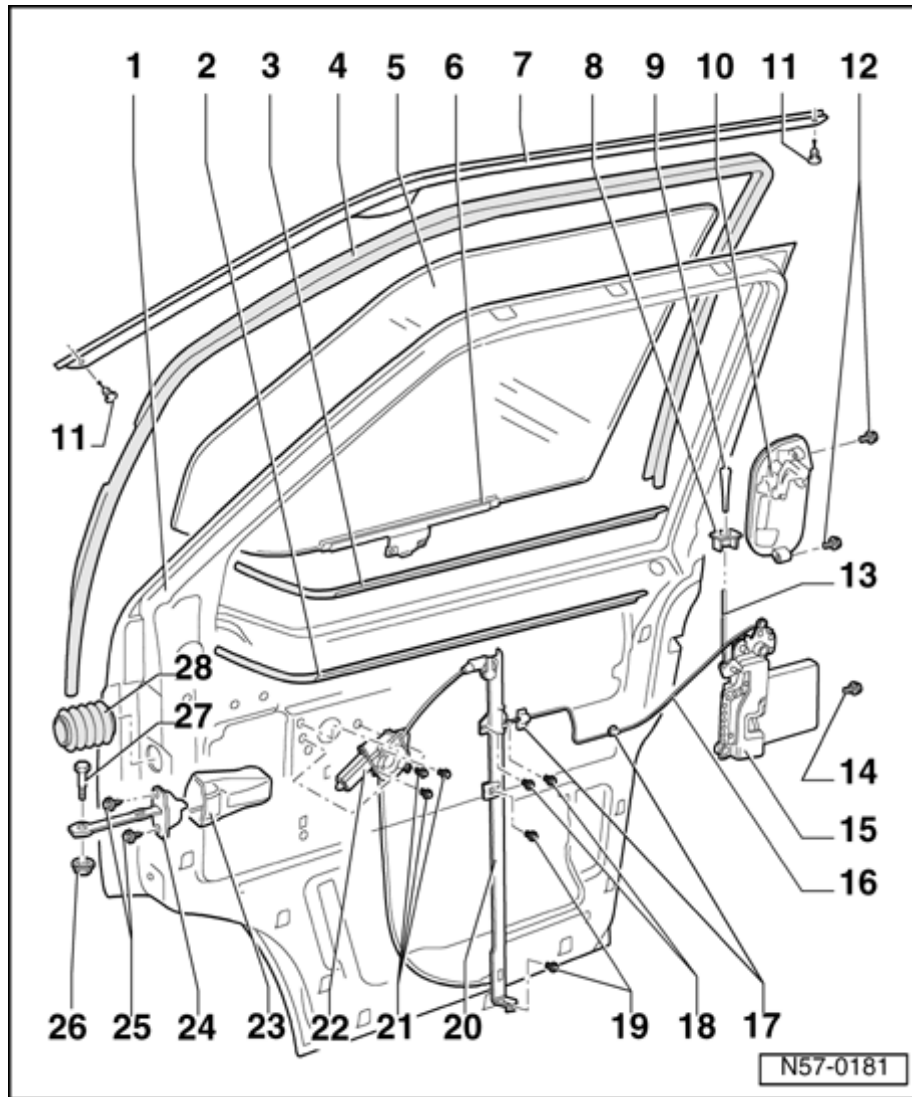
- ◆ Remove together with window regulator ⇒ [Page 57-15](#)
- ◆ Remove window regulator crank (front door with manual regulator) together with window regulator ⇒ [Page 57-15](#)

23 - Cover

- ◆ Clipped on

24 - Door check strap**25 - Screw**

- ◆ 7 Nm



26 - Lock nut

◆ 6.5 Nm

27 - Bolt

28 - Boot

◆ Cover on vehicles with manual window regulator

Door, removing (up to 12.95)

Front door, removing (from 01.96) ⇒ [Page 57-10](#)

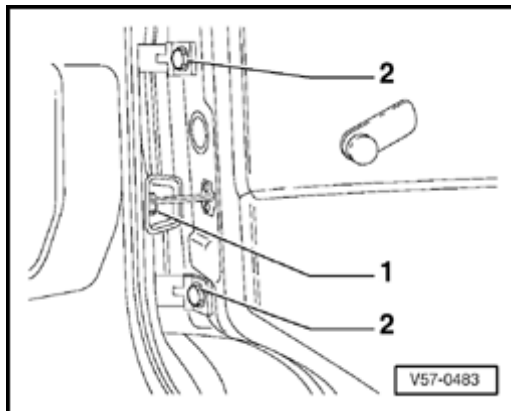
Vehicles with central locking, power windows, heated outside mirrors and/or door speakers

- Remove front door trim.

⇒ [Repair Manual, Body Interior, Repair Group 70](#)

Continued, all vehicles

- Locate wiring connectors, disconnect wiring and remove from door.
- Remove nut -1- and pull out pin.
- Remove hex bolt -2- from upper and lower hinge.

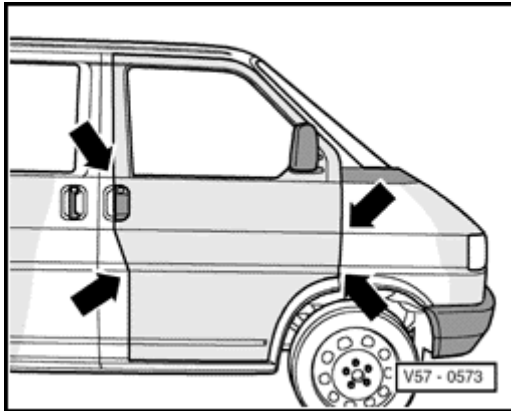


A

Door, installing and adjusting (up to 12.95)

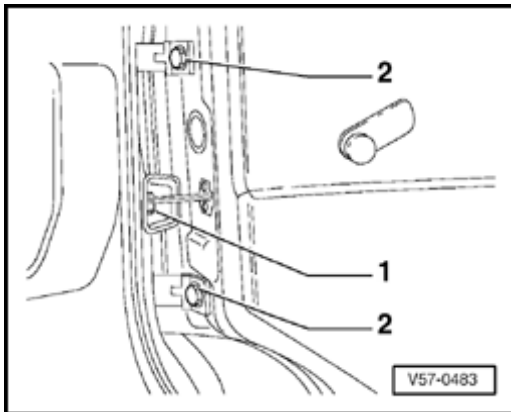
Door, installing and adjusting (from 01.96) ⇒
[Page 57-11](#)

- Install hex bolts -2- into upper/lower door hinges.
- Adjust door by moving hinges in oversized holes.



A

- Door is correctly adjusted if, when closed, has uniform gap all around opening, is not sunken, does not protrude, matches contour -arrow-.



A

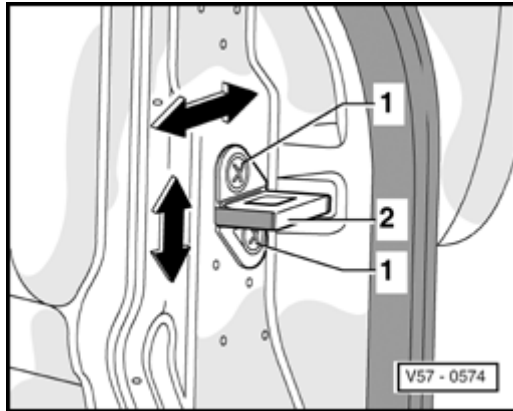
- Tighten hex bolts -2-. After installation of bolt, tighten nut -1-.

Tightening torques:

Nut -1- = 6.5 Nm (57 in. lb)

Hex bolt -2- = 55 Nm (41 ft lb)

Striker, adjusting

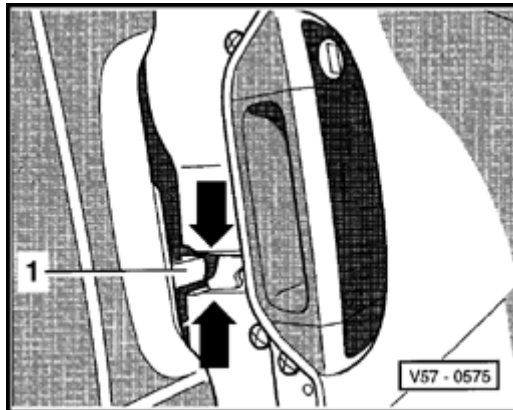


A

- After Phillips screws -1- are loosened, striker -2- can be moved horizontally and vertically -arrows-.

Tightening torque:

Phillips screws -1- = 19 Nm (14 ft lb)

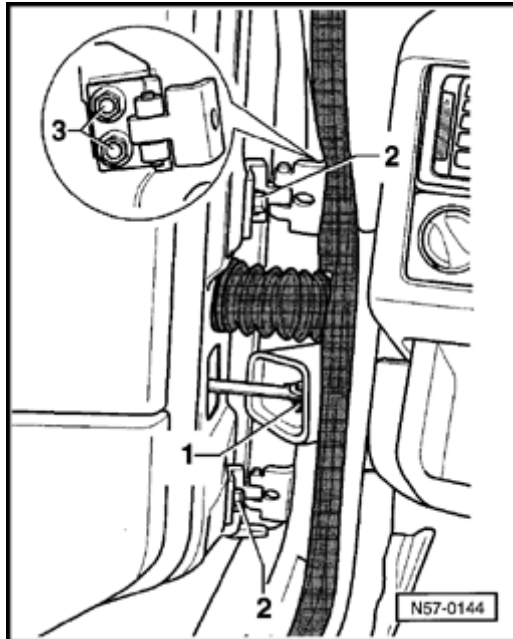


A

- Adjust striker -1- so recess on door lock turn clip is concentric -arrows- to striker (door must not be raised or pressed down). Door must not move when closed.

Door, removing (from 01.96)

Door, removing (up to 12.95) ⇒ [Page 57-6](#)



A

- Remove door trim Repair Manual
⇒ [Repair Manual, Body Interior, Repair Group 70](#)
- Disconnect electrical wires, disconnect plug connectors and pull out of door.

Continued, all vehicles

- Remove nut -1- and remove bolts.
- Remove screws -2- for upper and lower hinge and remove door.

Door, installing and adjusting (from 01.96)

Door, installing and adjusting (up to 12.95) ⇒ [Page 57-7](#)

Note:

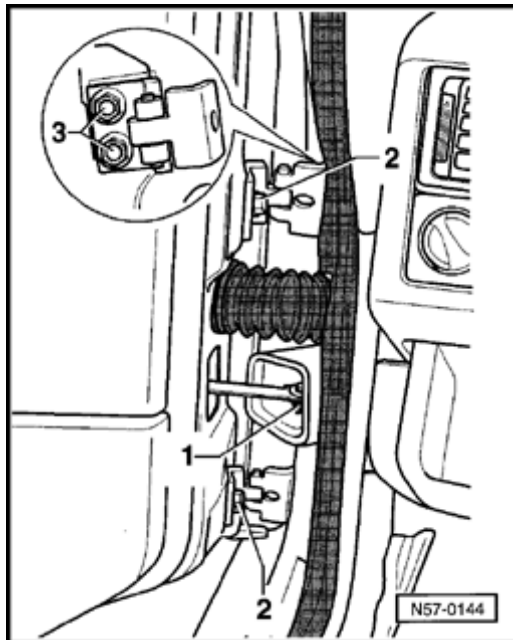
Adjust door gap dimensions from fender, to A-pillar and B-pillar.

- Remove door ⇒ [Page 57-10](#) .

- Loosen screws -3-, slide hinges and tighten screws again.

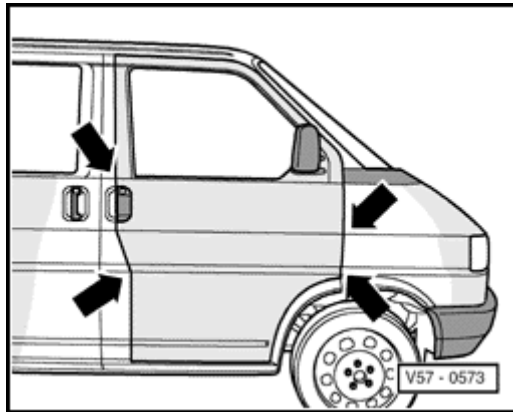
Tightening torque: Nut -1- = 6.5 Nm (58 in. lb), Screw -3- = 55 Nm (41 ft lb).

- Install door.



A

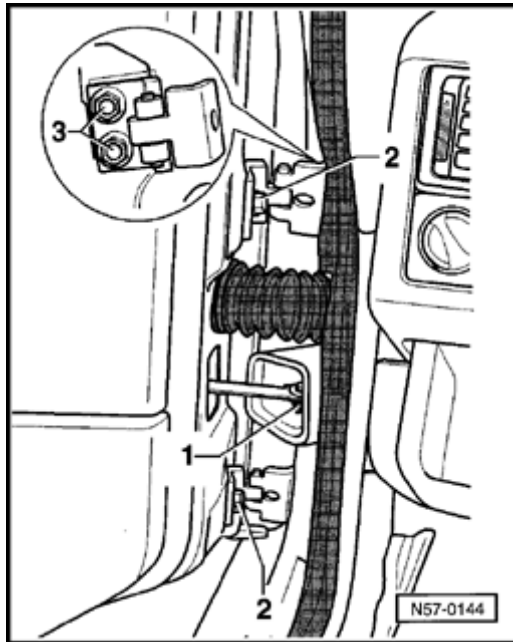
- Install screws -2- for upper and lower hinges.
- Adjust door so it is flush with fender, A-pillar and B-pillar.



A

- Adjust door within oversized holes in hinge so its flush with fender.

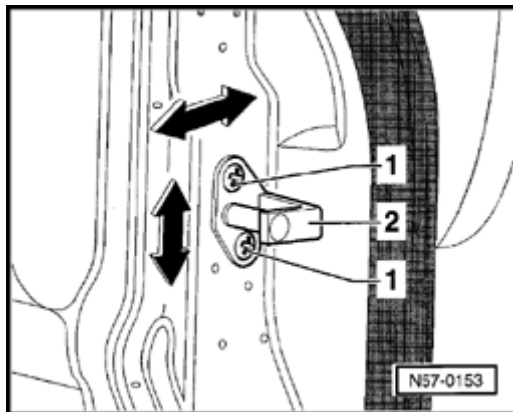
Front door is correctly adjusted when there is a uniform distance from door opening, is not too low or to high and matches contour -arrows-.



A

- Tighten bolts -2-, after installation of bolt, tighten nut -1-.

Tightening torques: nut -1- = 6.5 Nm (58 in. lb) , bolt -2- = 55 Nm (41 ft lb).



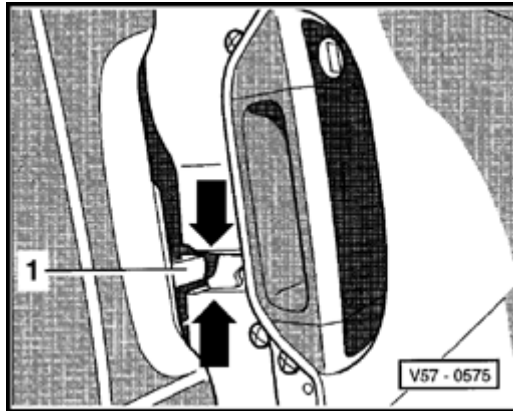
A

Striker, adjusting

- After screw -1- are loosened striker -2- can be moved horizontally and vertically - arrows-.

Tightening torque: = 19 Nm (14 ft lb).

- Tighten bolts in specified sequence.
- Tightening torque: 3.5 Nm (2.6 in. lb).



A

- Adjust striker -1- so recess on door lock turn clip is concentric -arrows- to striker (door must not be raised or pressed down). Door must not move when closed.